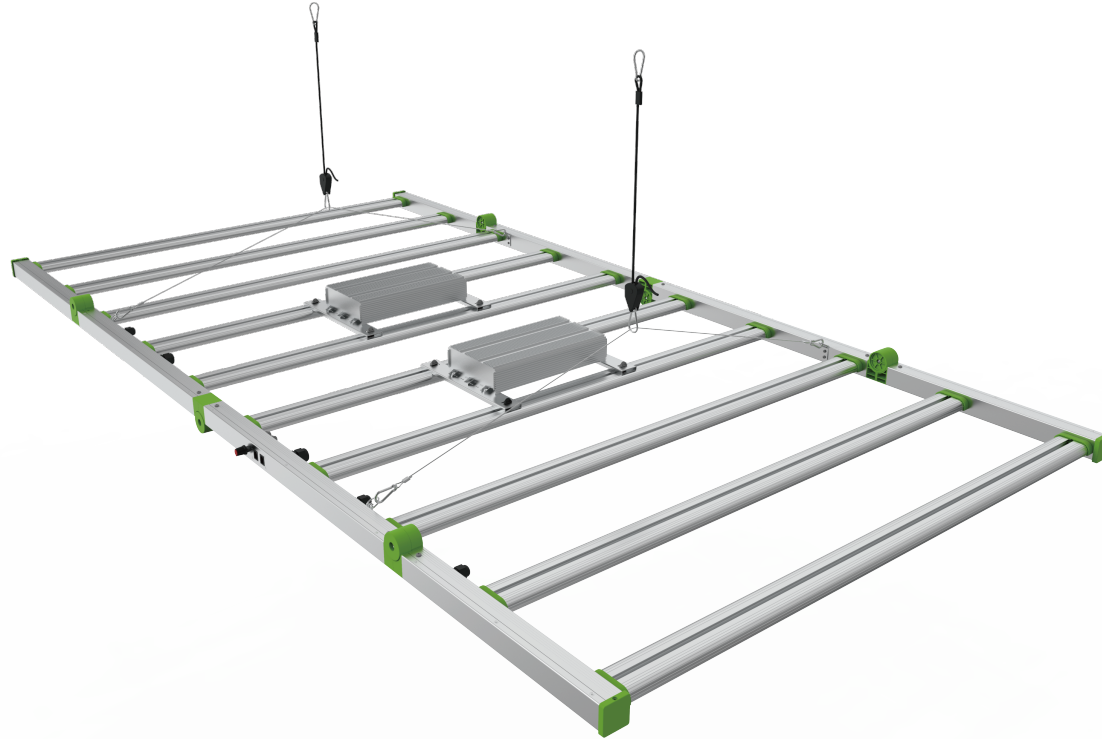


# LED GROW LIGHT

## 1200W

electrivo 



## FC IP65

### Application

(Suitable for flowering growth.)

- Indoor Farming
- Vertical Farming

### Features & Benefits

- Constant current driver, durable life
- Full-spectrum, similar to sunlight, higher crop yield
- IP65 waterproof rating, suitable for high humidity application
- 0-10V dimming
- Flicker free
- Lifting mode, lifting height adjustable 6" - 48"
- Application environment: indoor cultivation

- **Patent folding design, fast and convenient installation.**
- **Dimmable upto 100 fixtures via daisy chain.**
- Patent folding design, fast and convenient installation.
- High quality professional gardening lamp beads.
- Uniform light distribution.
- Independent external drive, scheme installation and upgrading.
- Large coverage and high cost performance.
- LED Sunline full spectrum.
- Support 0-10V dimming.

# LED GROW LIGHT

1200W PPE2.7 $\mu$ mol/J

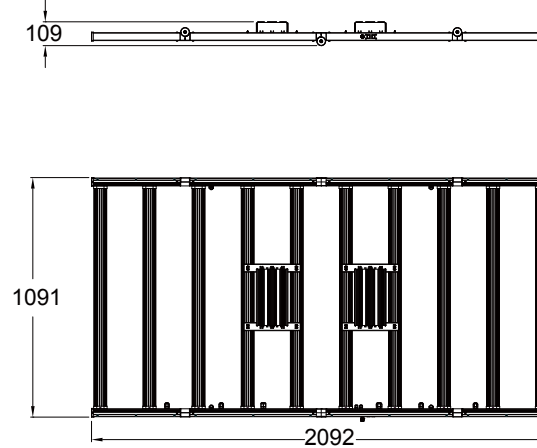
## Features & Benefits

Input Power	1200W
Photosynthetic photon flux	3240 $\mu$ mol/s
Luminous Efficacy	2.7 $\mu$ mol/J
Viewing Angle	110°
CRI	>88
Input Voltage	120-277VAC 50/60Hz
Amp Draw	11.23A@120V,6.25A@220V,5.76A@240V,5.02A@277V
PF	>0.9
THD	<20%
Driver Surge protection	6KV
Dimming	0-10V
LED Type	3000K+5000K+660nm+730nm(Samsung/Seoul Diodes)
Housing	Aluminum Alloy
Housing Color	Silver
Heat Output	2286 BTU
Operating Temperature	-10~40°C/14-104°F
Operating Humidity	10%-90% RH
Storage Temperature	-25~60°C/-13-140°F
Storage Humidity	10%-90% RH
Warranty Time	5years
N.W.	16.7kg/36.82LBS
C.W.	19.4kg/42.77LBS
Packing Dimension(mm)	1145x210x730mm(45.1" x8.3" x 28.7" )

## Performance Data

Model	Input Voltage	Input Power	PPF	PPE	FCC
GL10-F2H-1200-A66-A8D	120-277VAC	1200W	3240 $\mu$ mol/s	2.7 $\mu$ mol/J	Yes

## Dimension Drawing

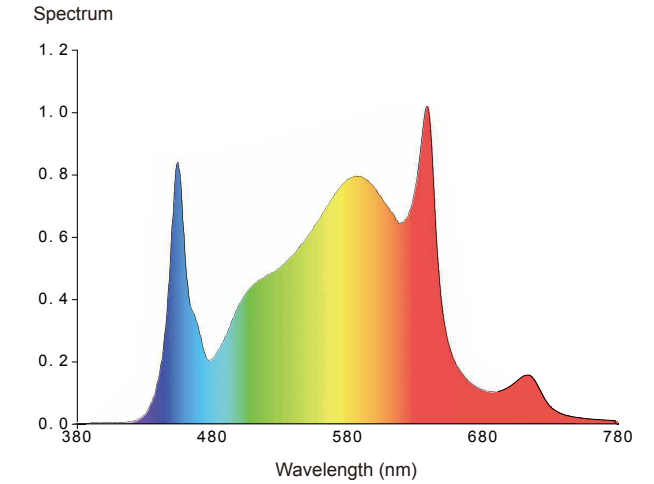


Length (L)	2092mm(82.4" )
Width (W)	1091mm(42.9" )
Height (H)	109mm(4.3" )

## Recommended Application

Multi-layer	4-5FT wide benches,4-6 in from canopy
Room	footprint 4x8FT Flowering,5x10FT Vegetative
Tent	footprint 4x8FT Flowering,5x10FT Vegetative

## Spectral Distribution



## PPFD Reading -- 4FT to 8FT area

627	673	675	686	698	708	715	720	731	718	706	701	693	684	676	638
675	750	779	802	808	815	819	826	803	804	789	787	771	774	745	686
688	776	806	835	836	842	848	864	850	846	840	834	820	794	768	711
667	769	839	884	886	893	891	896	884	880	875	877	870	833	776	679
665	796	848	889	889	892	895	902	880	888	878	876	867	842	781	689
711	781	808	827	844	857	872	886	869	865	863	847	832	812	780	715
660	756	787	805	816	825	827	835	817	819	814	803	796	781	758	673
612	666	694	702	711	719	731	738	721	714	707	699	690	679	669	613

0.6m 24"

609	675	709	727	733	748	751	759	770	762	751	740	731	720	686	622
713	813	866	868	899	903	910	915	904	900	897	885	875	862	807	730
751	881	956	980	989	996	994	1005	985	981	986	977	972	946	870	764
736	890	964	1009	1013	1021	1018	1025	1016	1008	1019	1006	998	962	885	754
744	898	979	1018	1024	1032	1036	1039	1019	1011	1005	1008	1000	960	882	752
763	886	960	983	996	1000	1008	1012	998	995	987	970	967	959	876	779
721	839	878	869	907	921	924	931	921	921	900	900	830	830	830	714
601	690	715	721	742	758	766	771	793	793	769	769	705	705	618	618

0.45m 18"

583	698	743	762	794	832	869	883	873	864	828	782	758	742	688	560
780	961	979	989	1013	1040	1067	1087	1078	1057	1041	1018	1000	994	971	804
834	1051	1123	1158	1164	1169	1188	1201	1188	1181	1176	1162	1155	1131	1054	846
821	1061	1155	1205	1212	1215	1212	1224	1203	1207	1204	1207	1201	1151	1043	836
835	1054	1167	1201	1209	1212	1210	1218	1209	1205	1202	1203	1199	1162	1032	831
848	1059	1127	1150	1155	1170	1189	1195	1184	1184	1159	1159	1041	1041	1041	851
801	996	1022	1035	1047	1081	1093	1107	1084	1070	1047	1034	1012	1006	976	796
563	715	755	778	810	841	880	897	888	875	848	804	781	756	728	587

0.3m 12"

# DIMMER BOX GROUP CONTROL INSTRUCTION

## Instruction

Fixtures could be daisy chain for group control.

### 1. Definition:

CH1	RJ cable input
CH2	RJ cable output

### 2. Function:

#### 2.1 Dimmer knob

Adjust the dimmer knob from MIN to MAX, the brightness of the lights gradually increases from 0% to 100%.

**Note:** When the fixtures are connected via daisy chain for group control, the dimmer knob needs to be operated on the first fixture. For example, 10 pcs fixtures are connected via daisy chain. When you dim the fifth fixture, only the fifth to tenth fixtures can be dimmed.

#### 2.2 External controller

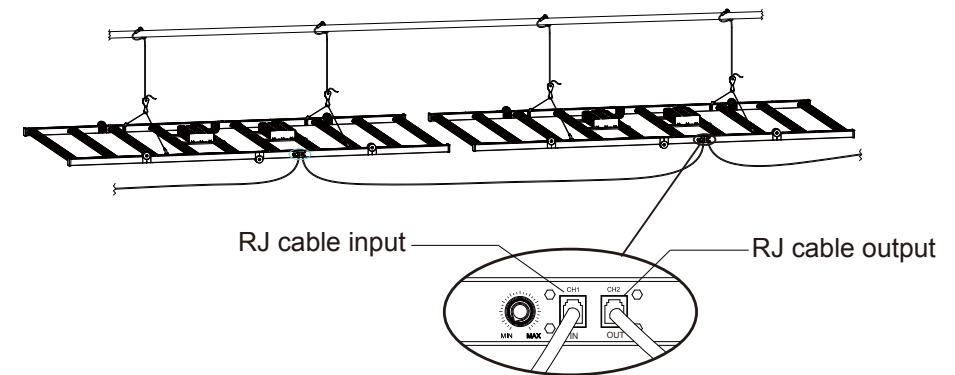
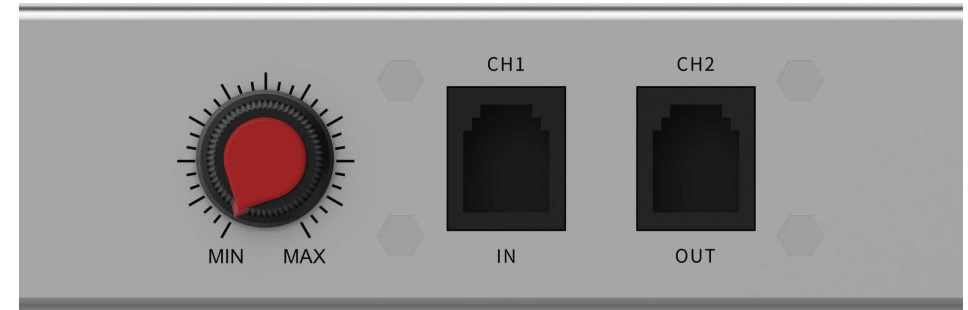
Connect the external controller with the fixture via the network cable.

The network cable need to be inserted into the IN port. Then dimming can be performed as per instruction manual.

**Note:** The fixtures can not dimmed by dimmer knob after the external controller is connected.

### Notes:

1. The dust plug of daisy chain must be removed before connecting to the fixture.
2. When the fixtures are connected with the daisy chain, you need to pay attention to the IN and OUT ports. The first one need to be insert into the OUT port, and the latter one need to be inserted into the IN port.



This device complies with part 15 of the FCC Rules. Operation is subject to the following two conditions: (1) This device may not cause harmful interference, and (2) this device must accept any interference received, including interference that may cause undesired operation.

# Installation & Usage Guide

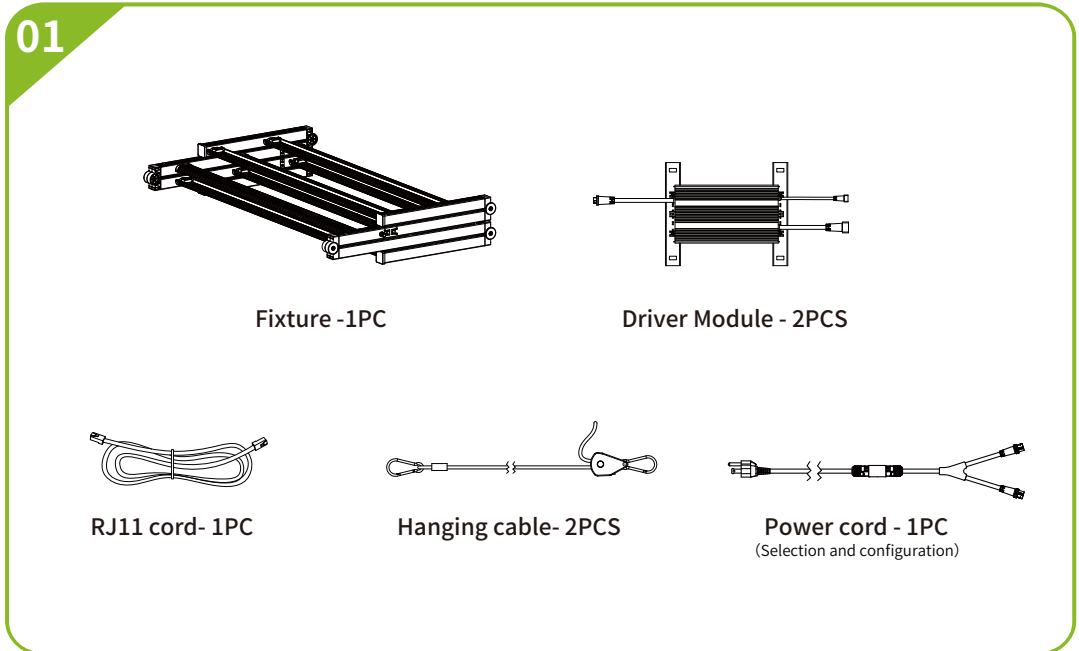
## WARNING AND CAUTION

- \* Please read the following instructions carefully before using this grow lighting fixture.
- \* Make sure main power is switched off before connecting the light fixture.
- \* DO NOT connect or disconnect the LED fixture under load.
- \* Always allow for a cool down period of at least 30 minutes before touching the LED bars
- \* Please DO NOT use this product outdoors.
- \* Connect the cables according to local laws, safety regulations and electrical code.
- \* Mounting and installing of the LED fixture may only be performed by certified service person, in accordance with the applicable local laws and regulations

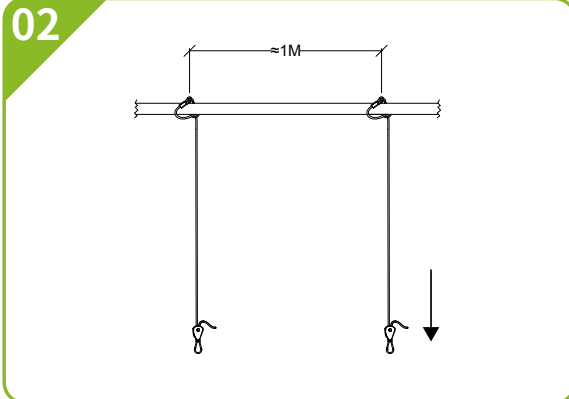
## INSTALLATION

Read all instructions before installation. Before starting installation of this fixture or removal of a previous fixture, disconnect the power by turning off circuit breaker or by removing the fuse at the fuse box.

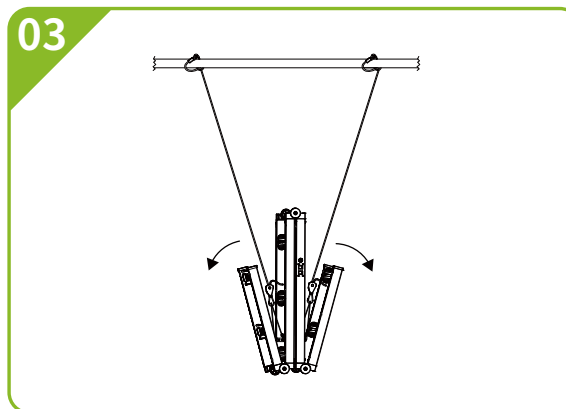
## Installation method 1: Hoisting



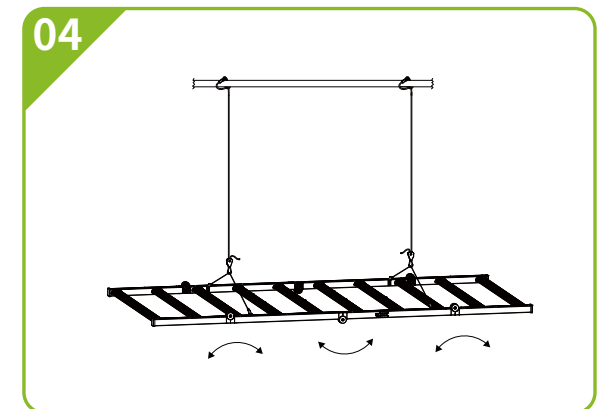
- Take out the fixture, driver modules and accessories.



- Hook the hanging cable, about 1m distance. And adjust it to the lower position.

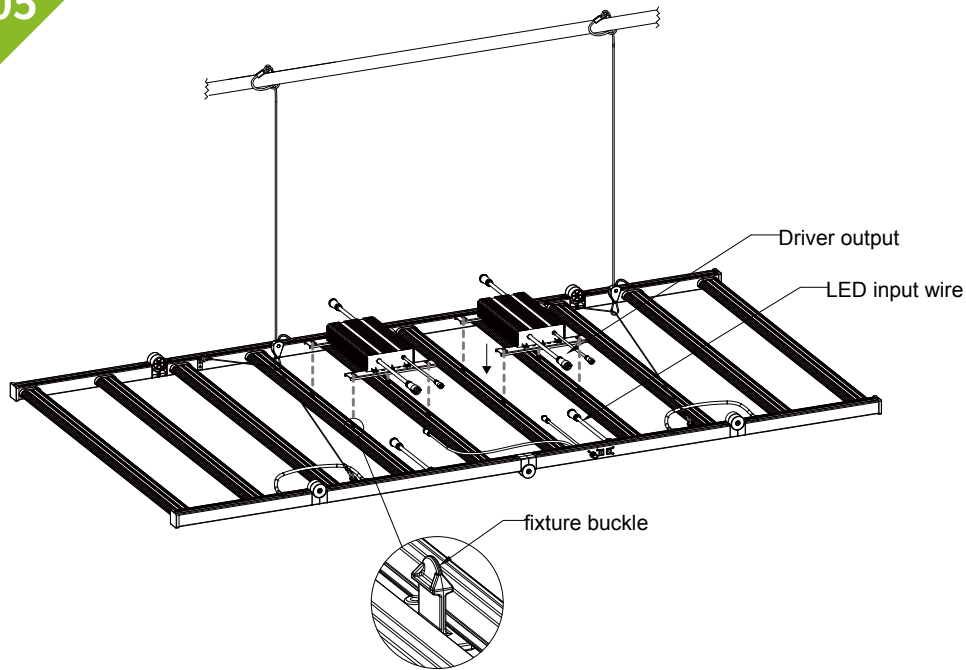


- Open the folded fixture to certain angle and hook the hanging cable to the wire rope.



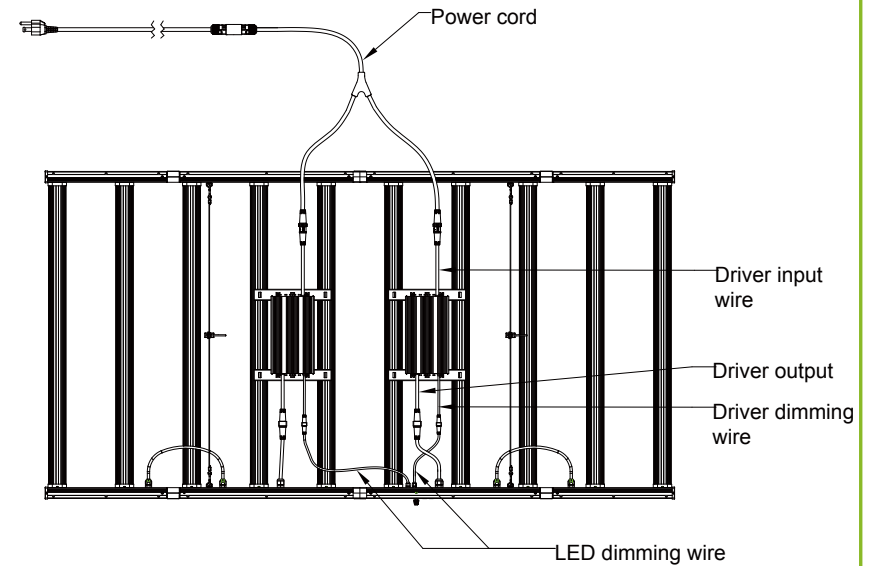
- Unfold the fixture completely.

05



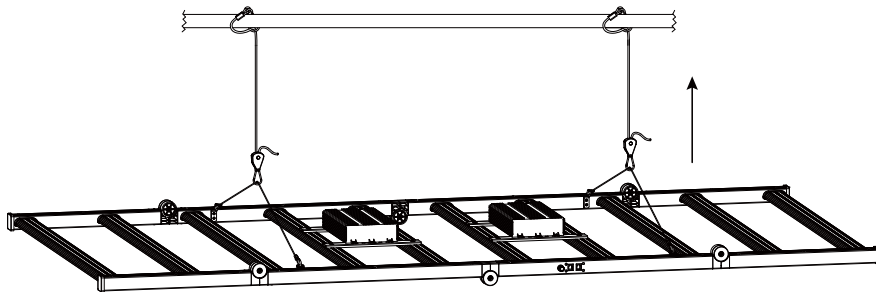
- Install the two drivers on the fixture buckle. Make sure the driver output wire is the same side with LED input wire.

06



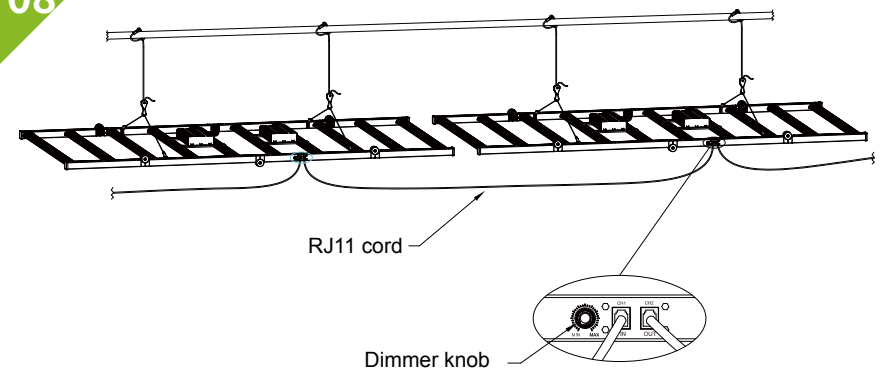
- Wiring the power cord with driver input, wire the driver output with LED input, and wire the driver dimming to LED dimming.

07



- Adjust the fixture to the appropriate height by pulling the cable.

08



- Connect multiple fixtures via RJ11 cord. Plug in the power and dim to the desired light by the dimmer knob.