



# Clone light

## 12W



### Application

- Indoor Farming
- Vertical Farming
- Vegetable Cultivation
- Clone and Seedling

### Features & Benefits

- Constant current driver, durable life
- IP65 waterproof rating, suitable for high humidity application
- Flicker free
- Environment: indoor cultivation
- Install portable and able to cascade

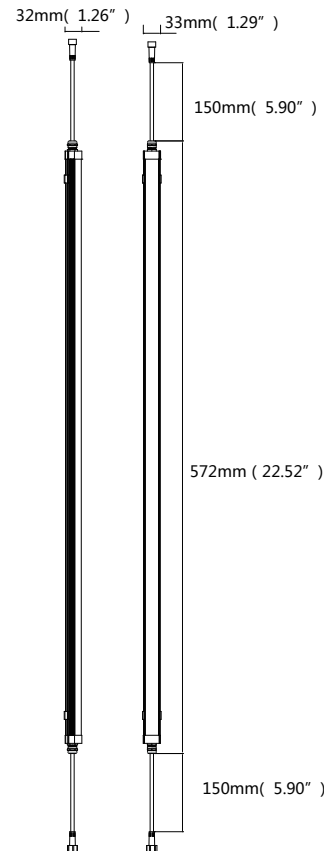
# Clone light

12W PPE 2.1 $\mu$ mol/J

## Parameter

Model	GPGL-T8-A57-12-A66-A8
Input Power	12W
Photosynthetic Photon Flux	25 $\mu$ mol/s
Luminous Efficay	2.1 $\mu$ mol/J
Viewing Angle	110°
CIR	>80
Input Voltage	100-277Vac 50/60Hz
Amp Draw	0.122A@120V, 0.067A@220V, 0.061A@240V,0.053A@277V
PF	>0.9
THD	<20%
Drive Surge Protection	1KV
LED type	5000K+450nm+660nm
Housing	Plastic
Housing Color	White
IP Level	IP65
FCC	Yes
Operation Temperature	-10~40°C
Operating Humidity	10%-90% RH
Storage Temperature	-25~60°C
Storage Humidity	10%-90% RH
Warranty Time	3 years
N.W	0.274 KG / 0.604 LBS
G.W	0.414 KG / 0.913 LBS
Packaging Size	620x55x35mm / 24.41"x2.17"x1.38"

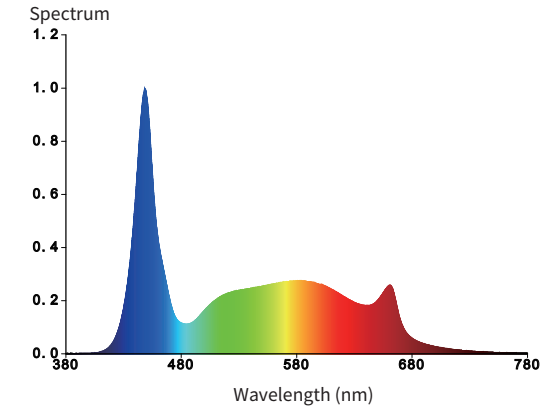
## Dimension Diagram



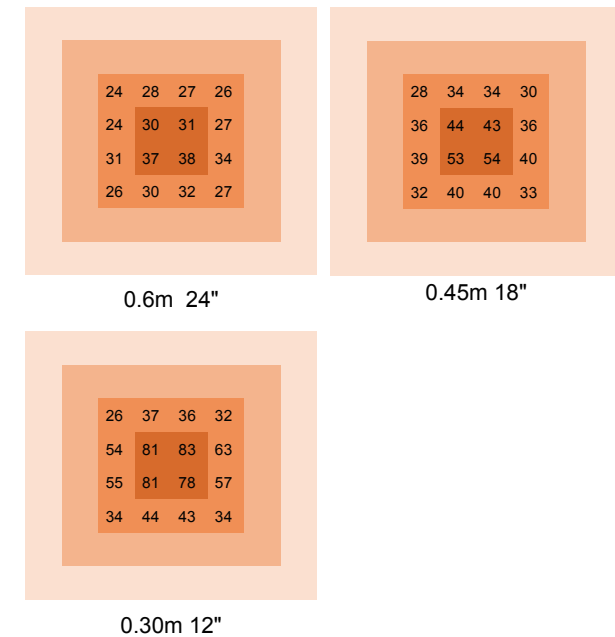
## Size

Length	572mm(22.52")
Width	33mm(1.29")
Height	32mm(1.26")

## Spectral Distribution



## PPFD Reading -- 2FT to 2FT area

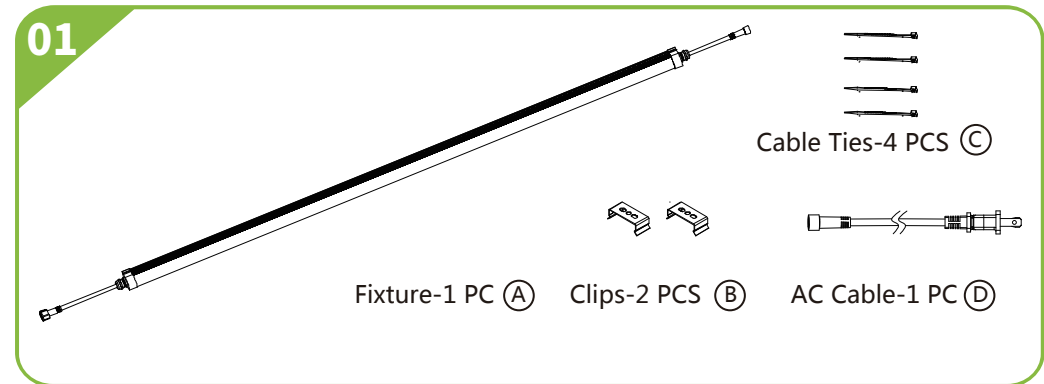


# Installation & Usage Guide

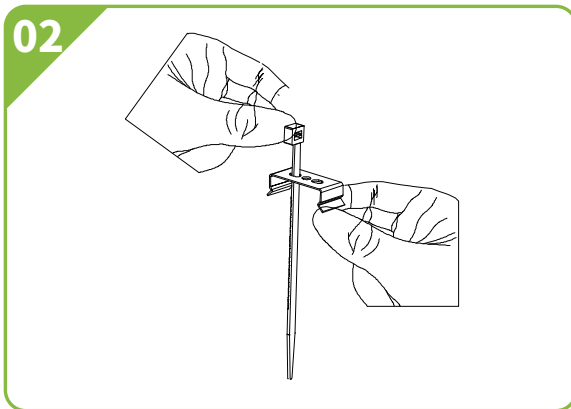
## WARNING AND CAUTION

- > Please read the following instructions carefully before using this grow lighting fixture.
- > Make sure main power is switched off before connecting the light fixture.
- > DO NOT connect or disconnect the LED fixture under load.
- > Always allow for a cool down period of at least 30 minutes before touching the LED bars.
- > Ensure power is off when cascading light to light.
- > Connect the cables according to local laws, safety regulations and electrical code.
- > Mounting and installing of the LED fixture may only be performed by certified service person, in accordance with the applicable local laws and regulations.

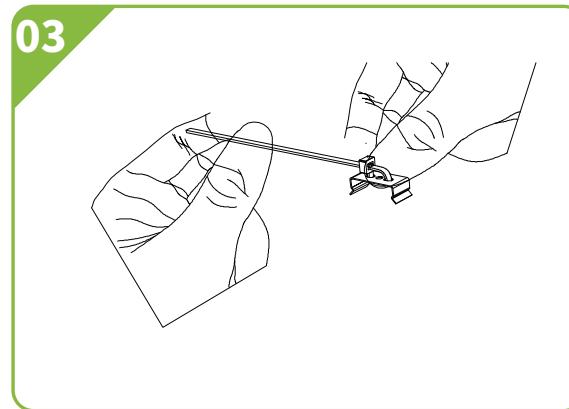
## Installation Steps



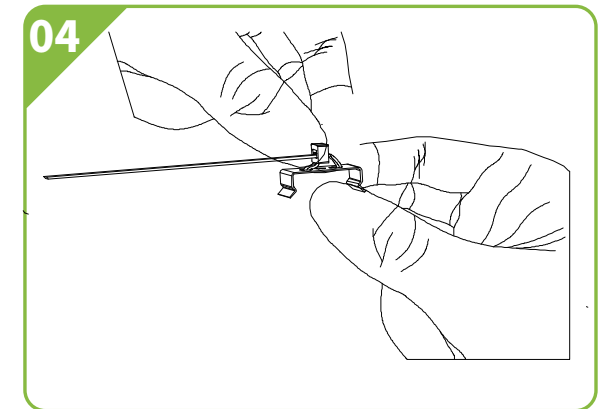
- Take out the fixture, clips and cable ties.



- Put the cable tie through the hole of the clip.

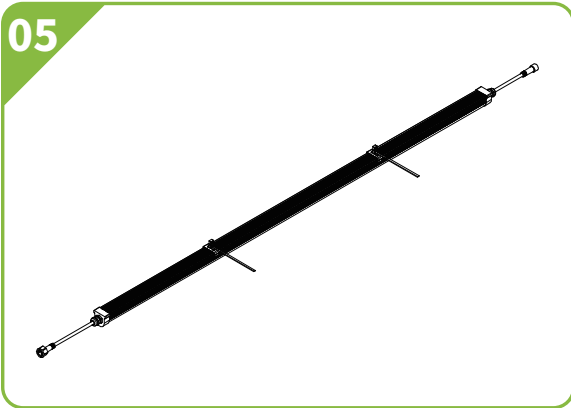


- The cable tie is passed through the other hole of the clip and through the lower hole of the cable tie.



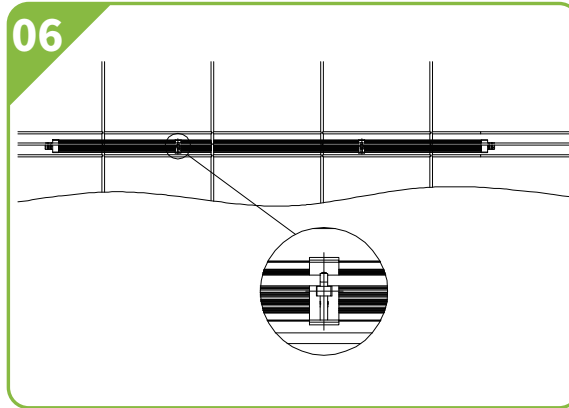
- Adjust the head position of the cable tie to the middle of the clip.

05



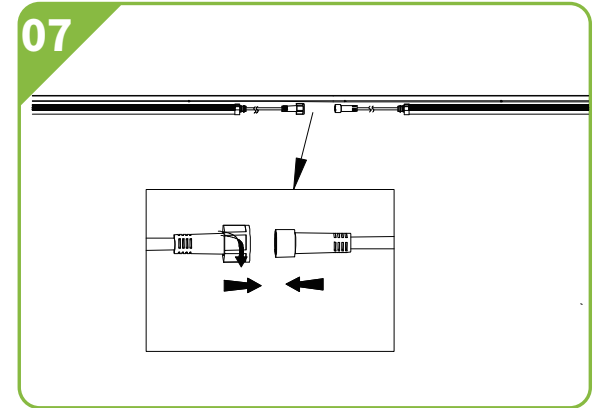
- Snap the lamp into the clip, the clip is 1ft away from the inner edge of the end cover.

06



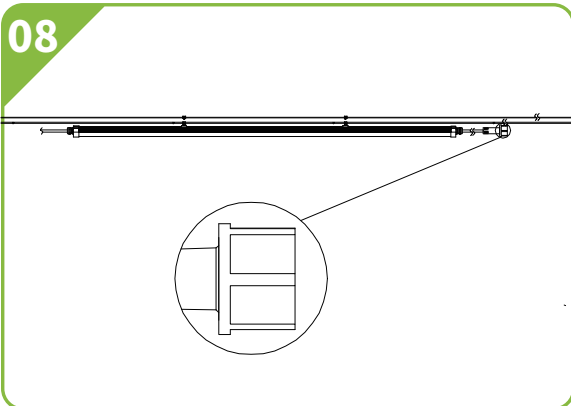
- Use cable ties to tie the fixtures horizontally to the brackets.

07



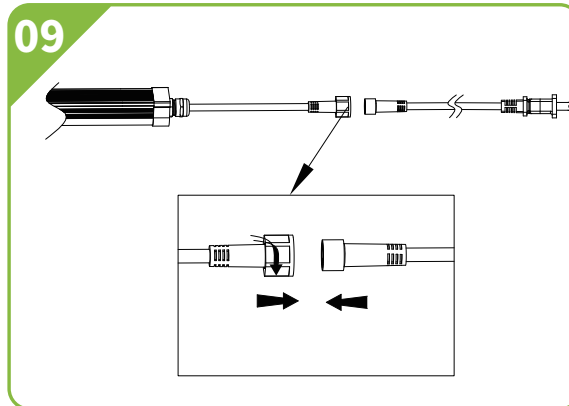
- Cascade the fixtures and tie the cables to the brackets.

08



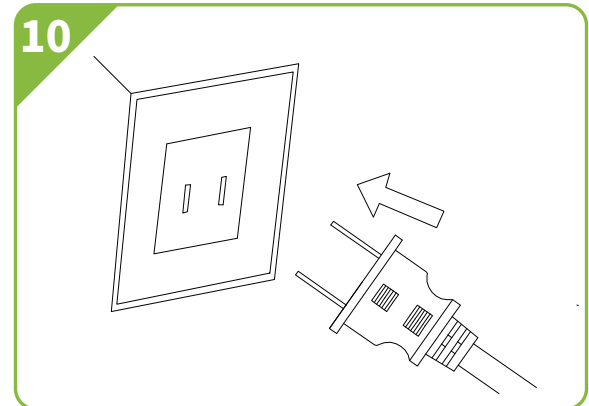
- Cascade the last fixture with end cap waterproof cover.

09



- The product is connected to the AC cable.

10



- Plug the product into the power supply.