

Up to 20
Fixtures via
Daisy Chain

Clone light

24W



Application

- Indoor Farming
- Vertical Farming
- Vegetable Cultivation
- Clone and Seedling

Features & Benefits

- Constant current driver, durable life
- IP65 waterproof rating, suitable for high humidity application
- Flicker free
- Environment: indoor cultivation
- Install portable and able to cascade

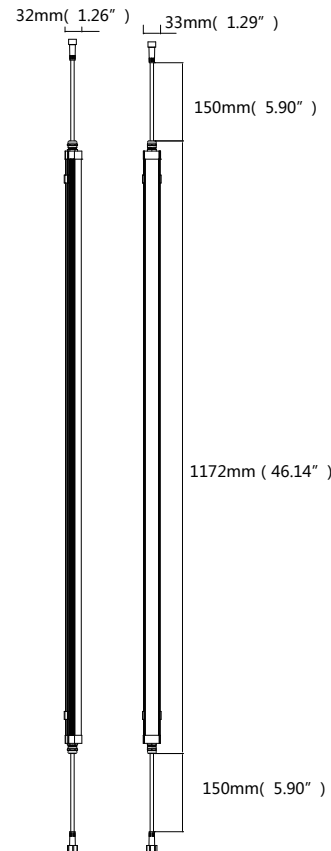
Clone light

24W PPE 2.1 μ mol/J

Parameter

Model	GPGL-T8-A117-24-A66-A8
Input Power	24W
Photosynthetic Photon Flux	50 μ mol/s
Luminous Efficay	2.1 μ mol/J
Viewing Angle	110°
CIR	>80
Input Voltage	100-277Vac 50/60Hz
Amp Draw	0.244A@120V, 0.133A@220V,0.122A@240V,0.106A@277V
PF	>0.9
THD	<20%
Drive Surge Protection	1KV
LED type	5600K+450nm+660nm
Housing	Plastic
Housing Color	White
IP Level	IP65
FCC	Yes
Operation Temperature	-10~40°C
Operating Humidity	10%-90% RH
Storage Temperature	-25~60°C
Storage Humidity	10%-90% RH
Warranty Time	3 years
N.W	0.396 Kg / 0.873 LBS
G.W	0.458 Kg / 1.01 BS
Packaging Size	1240x55x35mm / 48.82"x2.17"x1.38"

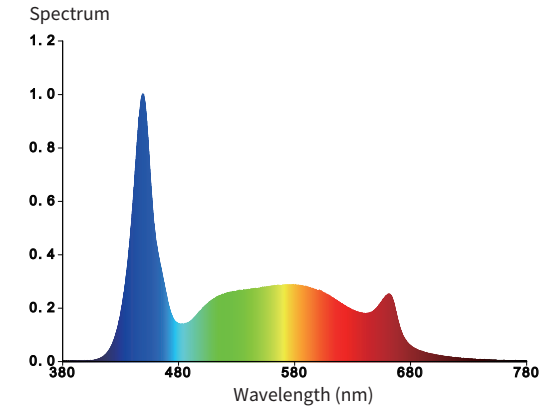
Dimension Diagram



Size

Length	1172mm(46.14")
Width	33mm(1.29")
Height	32mm(1.26")

Spectral Distribution



PPFD Reading -- 2FT to 4FT area

32.7	36.5	39.4	38.2	39.5	40.3	37.2	31.7
37.1	43.0	46.0	48.0	48.4	46.3	42.4	37.1
45.3	48.2	51.9	53.0	52.3	47.6	44.0	38.5
36.0	38.4	48.7	46.5	47.3	47.1	43.5	39.8

0.6m 24"

33.5	38.8	42.9	43.4	43.9	45.2	40.1	33.3
37.9	46.8	51.5	54.2	54.6	54.3	48.4	39.9
44.6	50.8	56.2	64.6	63.5	63.2	56.8	47.5
36.3	45.5	48.0	48.5	49.2	50.7	47.3	40.1

0.45m 18"

39.6	36.6	39.6	47.5	44.2	42.2	42.6	33.5
54.8	72.0	75.9	79.6	82.9	81.3	71.0	57.8
49.5	65.7	77.2	80.9	80.2	80.1	69.2	58.9
37.1	45.0	48.8	50.1	51.1	50.4	48.0	40.2

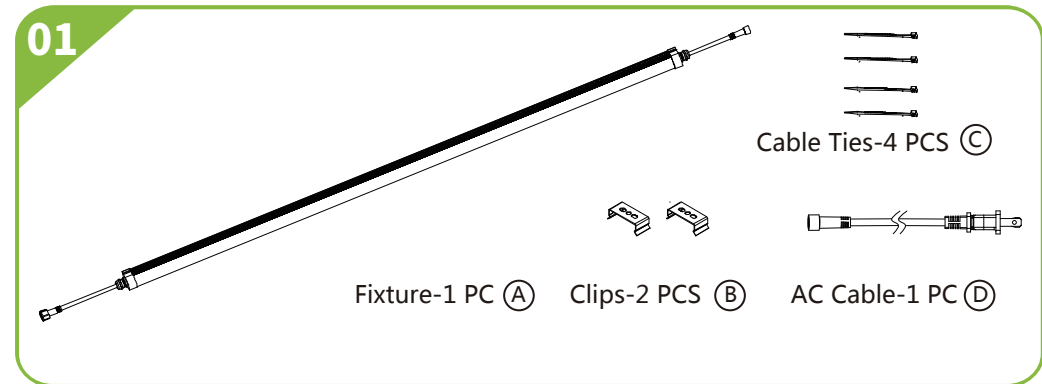
0.30m 12"

Installation & Usage Guide

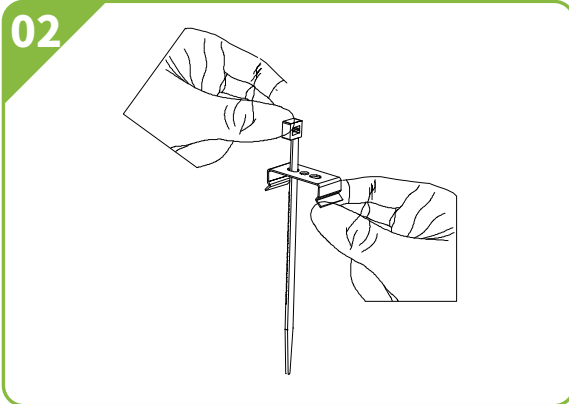
WARNING AND CAUTION

- > Please read the following instructions carefully before using this grow lighting fixture.
- > Make sure main power is switched off before connecting the light fixture.
- > DO NOT connect or disconnect the LED fixture under load.
- > Always allow for a cool down period of at least 30 minutes before touching the LED bars.
- > Ensure power is off when cascading light to light.
- > Connect the cables according to local laws, safety regulations and electrical code.
- > Mounting and installing of the LED fixture may only be performed by certified service person, in accordance with the applicable local laws and regulations.

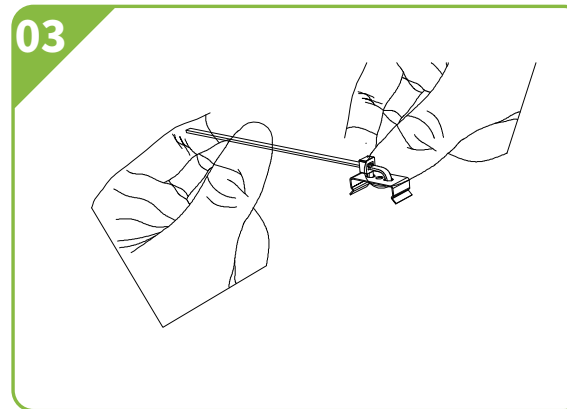
Installation Steps



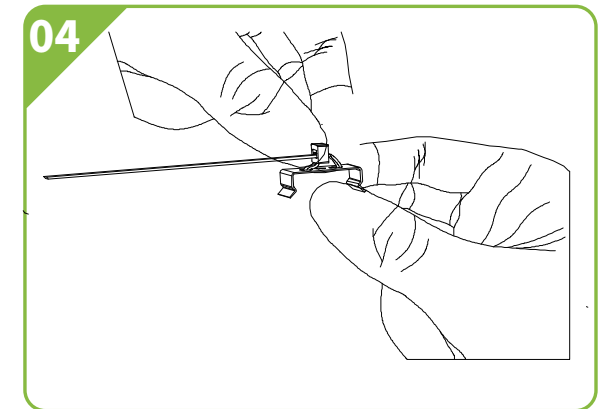
- Take out the fixture, clips and cable ties.



- Put the cable tie through the hole of the clip.

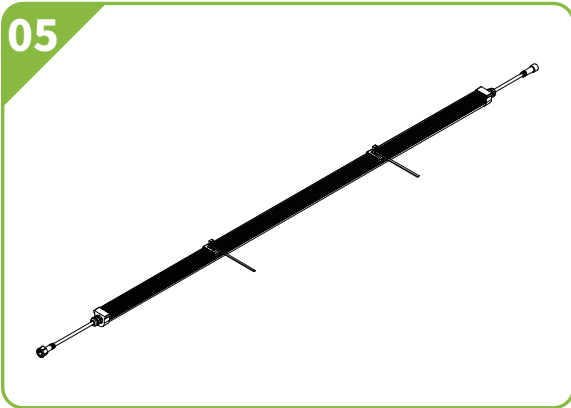


- The cable tie is passed through the other hole of the clip and through the lower hole of the cable tie.



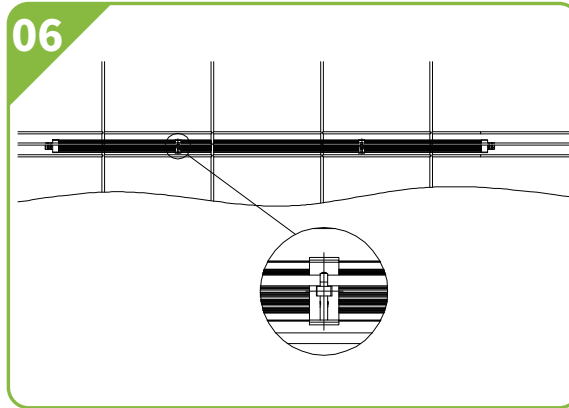
- Adjust the head position of the cable tie to the middle of the clip.

05



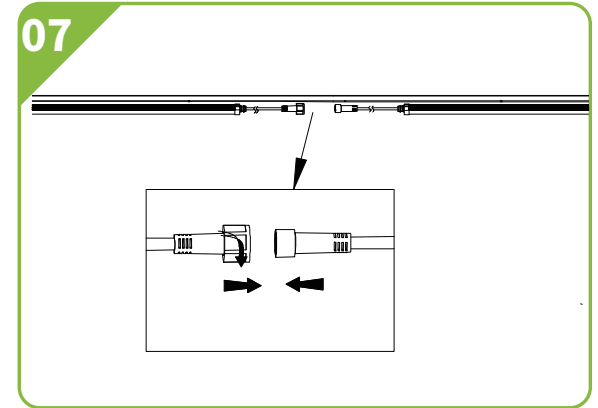
- Snap the lamp into the clip, the clip is 1ft away from the inner edge of the end cover.

06



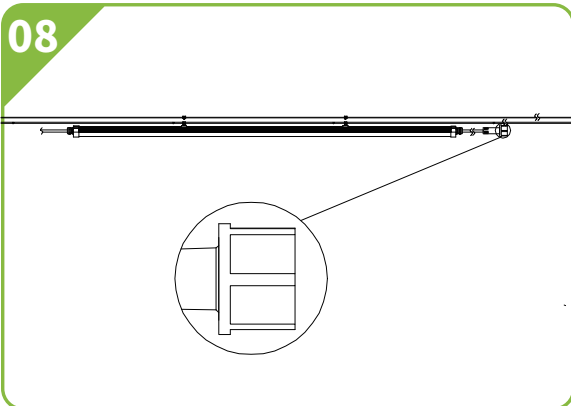
- Use cable ties to tie the fixtures horizontally to the brackets.

07



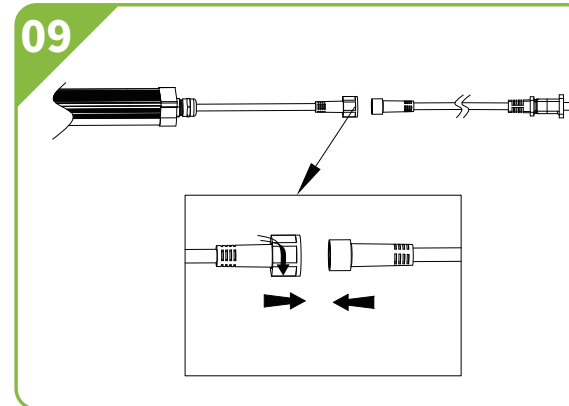
- Cascade the fixtures and tie the cables to the brackets.

08



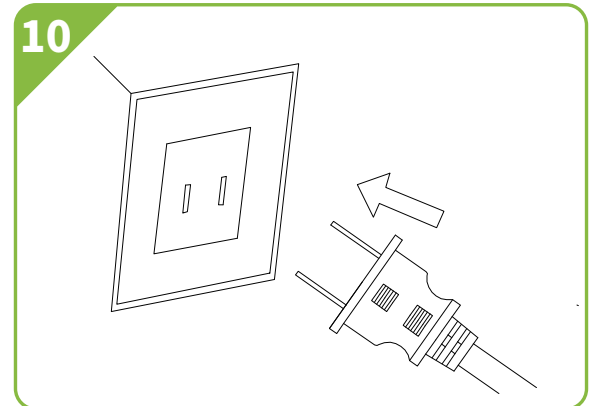
- Cascade the last fixture with end cap waterproof cover.

09



- The product is connected to the AC cable.

10



- Plug the product into the power supply.