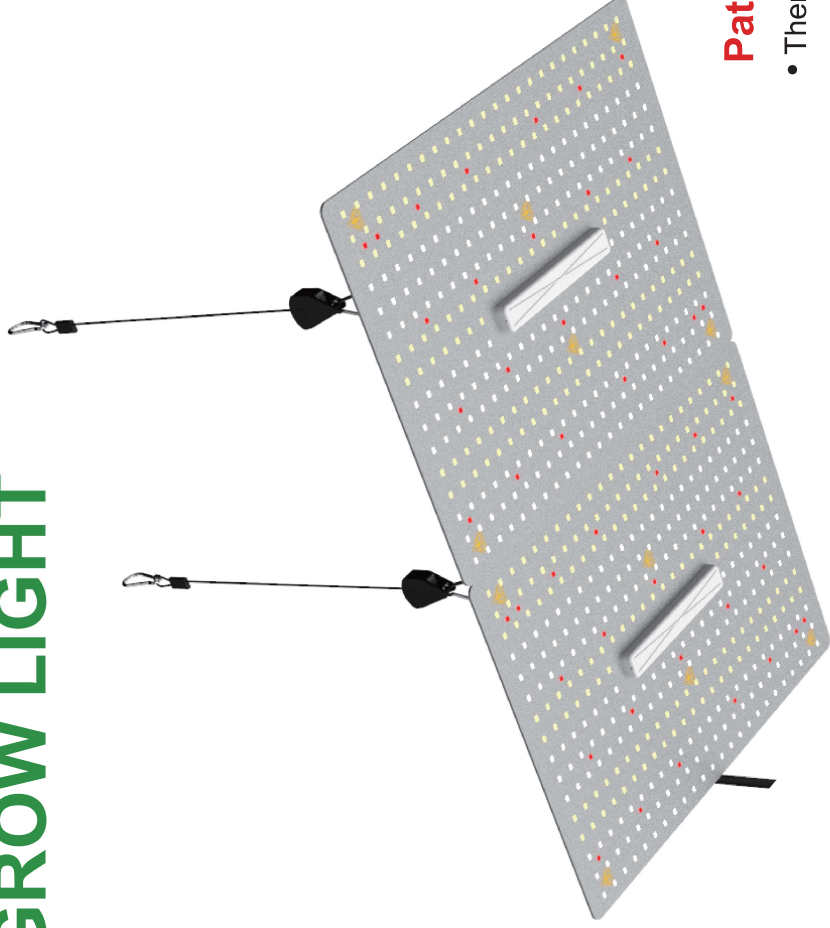


LED GROW LIGHT

325W

electrivo



Patent design

- Thermoelectric separation
- Efficient heat dissipation

Features & Benefits

- New nanomaterial-made body for enhanced thermal conductivity and reduced product weight and volume.
- Constant current driver with high power factor larger than 0.9. Flicker free for consistent lighting.
- Dimmable feature plus durable quality with an average life of 35000 hours.
- Sunlike full spectrum to provide quality light to maximize yield (Recommended fixture suspension height: 6" - 48").
- IP65 rated for use under environments with high humidity.
- Easy, tool-free installation to save time and labor.



Multi-purpose Applications

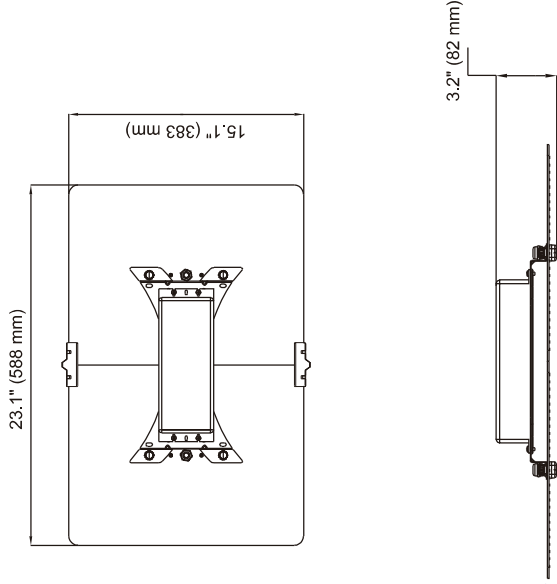
Versatile application for uses in rooms with low ceiling, vertical racks, shelving units, tents, or more.

325W PPE 2.1 μmol/J

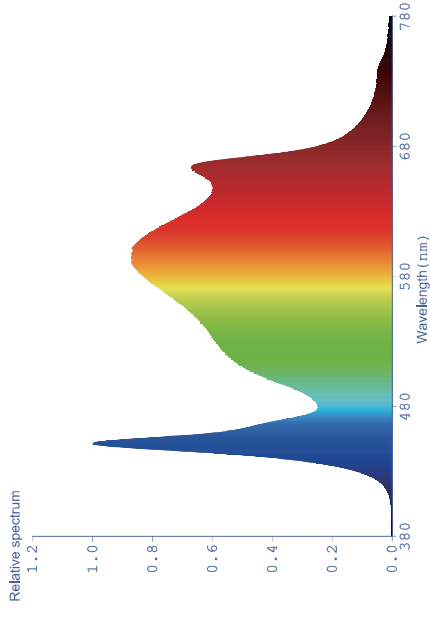
Features

Input Power	325W
Photosynthetic Photon Flux (PPF)	682 μmol/s
Photosynthetic Photon Efficacy (PPE)	2.1 μmol/J
Viewing Angle	110°
Color Rendition Index (CRI)	> 82
Input Voltage	100-277V AC 50/60 Hz
Amp Draw	2.80A@120V, 1.59A@220V, 1.46A@240V, 1.28A@277V
Power Factor	> 0.9
Total Harmonic Distortion (THD)	< 20%
Driver Surge Protection	6KV
Dimmable	Yes
LED Type & Spectrum	3000K+5000K+660nm+730nm (Samsung/Seoul Diodes)
Housing	Aluminum Alloy + Steel
Housing Color	White + Black + Silver
Heat Output	422 BTU
Operating Temperature	14 to 104°F (-10 to 40°C)
Operating Humidity	10%-90% RH
Storage Temperature	-13 to 140°F (-25 to 60°C)
Storage Humidity	10% to 90% Relative Humidity
Warranty Duration	3 years
Net Weight	4.06 kg/8.95lbs
Gross Weight	5.08 kg/11.2 lbs
Packaging Dimension	17.3" x 13.3" x 7.2"

Dimensional Drawing



Spectral Distribution



Photosynthetic Photon Flux Density (PPFD) Maps

293	381	466	508	509	476	400	307	289	446	552	608	630	584	472	30
316	396	491	545	556	506	415	332	302	492	646	732	748	664	517	31
318	402	465	530	537	488	416	332	296	484	631	724	735	667	510	31
289	356	411	482	492	421	371	301	281	384	535	601	632	558	414	29

At 24" (0.6 m)

At 18" (0.45 m)

Recommended Application

Tent	footprint 3x3FT Flowering, 4x4FT Vegetative
------	---

Product Certifications

FCC	Yes
-----	-----

Installation & User Guide

electrivo

WARNING AND CAUTION

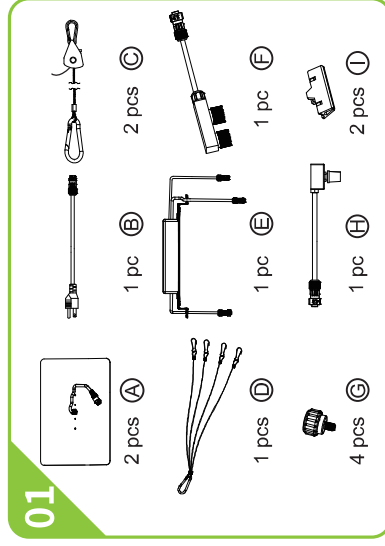
Please read the following instructions carefully before using this grow light fixture:

- Make sure main power is switched off before connecting the lighting fixture.
- Do not connect or disconnect the LED fixture underload.
- Always allow for a cool down period of at least 30 minutes before touching the LED bars.
- Please DO NOT use this product outdoors.
- Connect the cables according to local rules, safety regulations and electrical code.
- Mounting and installing of the LED fixture may only be executed by a certified service person, in accordance with the applicable local laws and regulations.

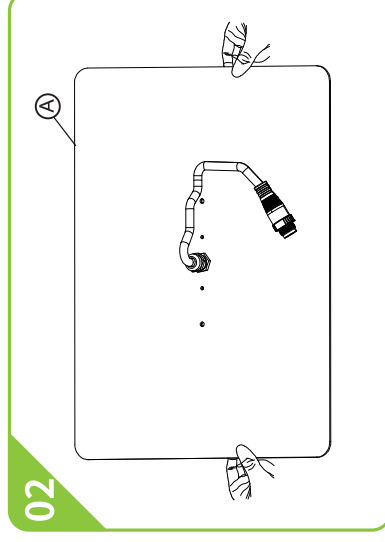
⚠️ WARNING PRIOR TO INSTALLATION

Read the entire instruction prior to installation. Before starting to install this fixture or to remove a previous fixture, disconnect the power by turning off the circuit breaker or by removing the fuse at the fuse box.

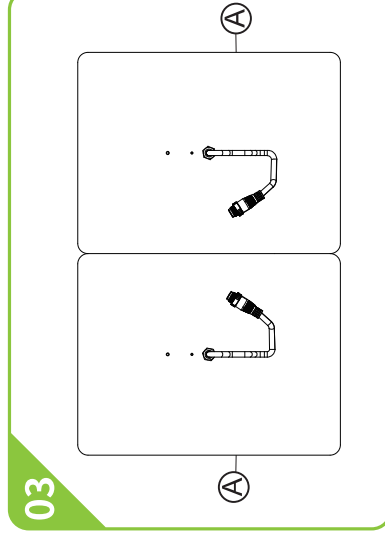
This device complies with part 15 of the FCC Rules. Operation is subject to the following two conditions: (1) This device may not cause harmful interference, and (2) this device must accept any interference received, including interference that may cause undesired operation.



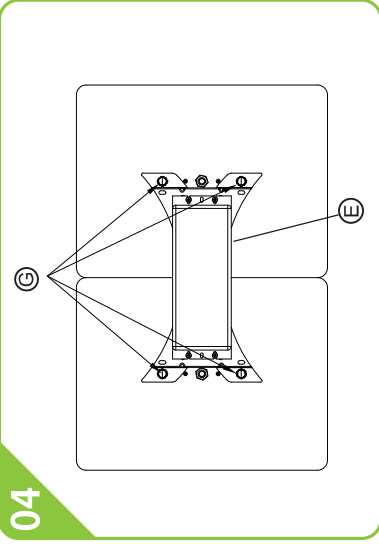
1. Package content.



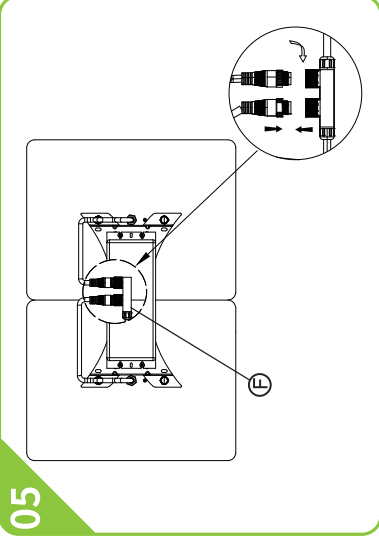
2. Place the light modules (A) on a surface for assembly.



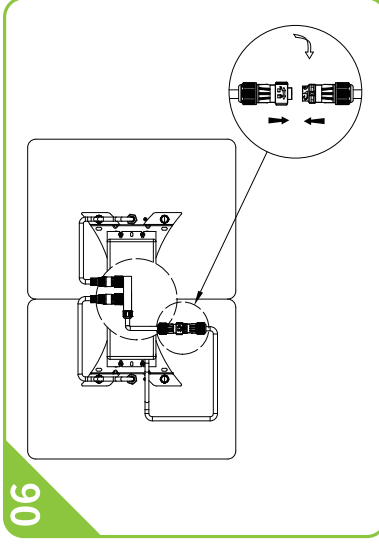
3. Put the light modules (A) side by side.



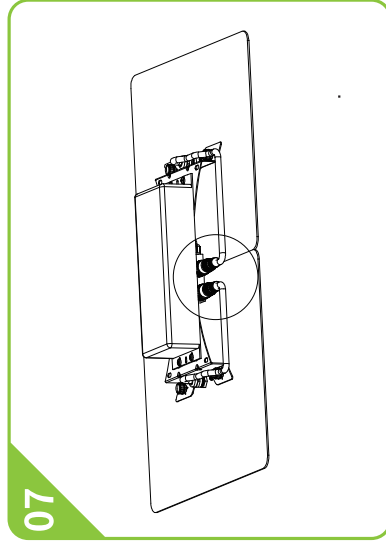
04. Assemble the power drive (E) to the back of the light modules (G) by screwing in 4 screws (G) to the assigned location.



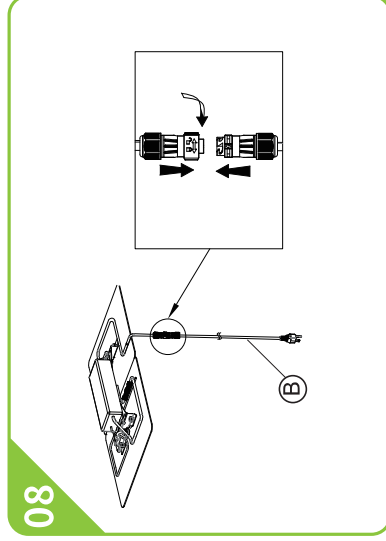
05. Connect the cords on the light modules (A) to the connector (F), and then place the connector (F) underneath the power drive (E).



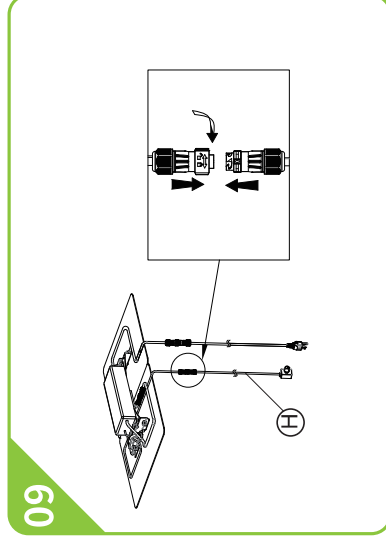
06. Connect the connector (F) to the cord linked to the power drive (E).



07. Reorganize the connected cords.

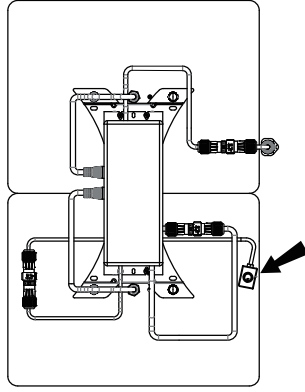


08. Connect the power cord (B) to the assembled fixture. Dial the switch to “**⏻**” position to lock the cable.



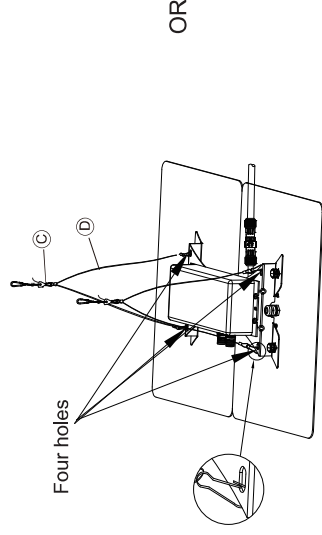
09. Connect the dimmer cord (H) (the thinner cord) to the assembled fixture. Dial the switch to “**⏻**” position to lock the cable.

10

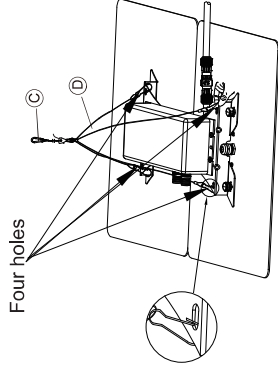


10. Place the dimmer on the light module.

11

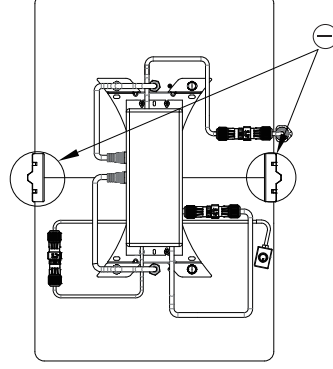


OR



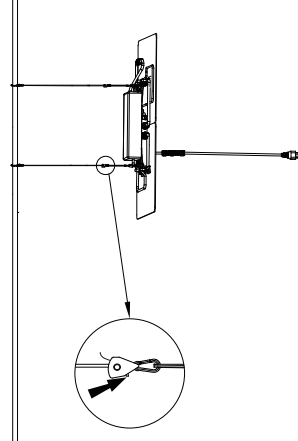
11. Hook the hanging cables (C) to the fixture and the adjustable hanging rope (D) to the cables (D).

12



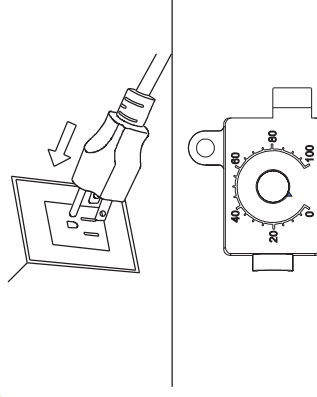
12. Clamp the clips (I).

13



13. Hang the fixture to the desired installation location.

14



14.1 Plug in the power cord.
14.2 Set the dimmer knob to the desired dimming level.