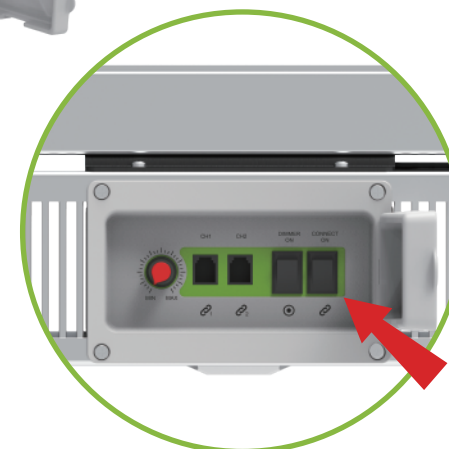


LED TOP LIGHT

630W



Precise Control
0-10V dimming control
for individual or
group dimming
control with RJ11 cable,
maximum for 100pcs

Intended Applications

- Greenhouse farming

Features & Benefits

- Long lasting life constant current drive.
- Easy to operate single channel module design.
- Fins to dissipate heat efficiently and reduce product weight.
- High quality application in all types of greenhouses and indoor farms.
- Sun replicating, full-spectrum light for extending greenhouse photoperiod exposure times.
- Desired distance from canopy: 1' to 8'
- Water resistance IP65 certified for high humidity and industrial spaces.
- Integrated slim design reduces shading on plants.
- Tool-free installation process designed to reduce labor costs and purchasing of secondary equipment.
- Full-spectrum, similar like sun light. Longer exposure time, increase more output lifting height could be 1ft-8ft.



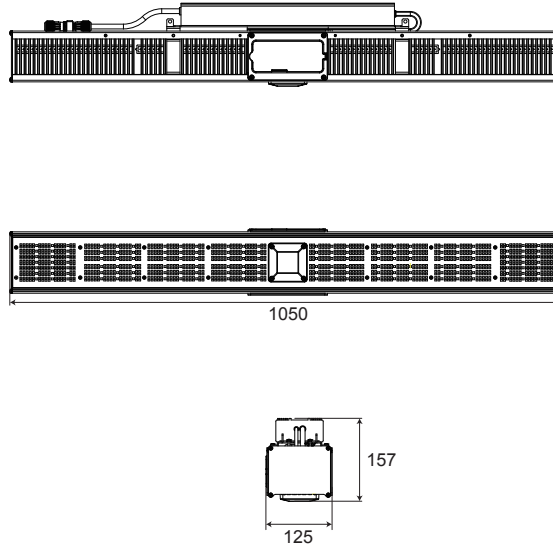
LED TOP LIGHT

630W PPE 2.7 μ mol/J

Features & Benefits

Input Power	630W
Photosynthetic photon flux	1700 μ mol/s
PAR Efficacy	2.7 μ mol/J
Light Emission Angle	110°
Color Rendering Index	>88
Input Voltage	100-277Vac 50/60Hz
Amp Draw	5.52A@120V,3.06A@220V,2.82A@240V,2.45A@277V
Power Factor	>0.9
Total Harmonic Distortion	<20%
Driver Surge protection	6KV
Dimming	0-10V
LED Type	3000K+5000K 660nm+730nm
Housing	Aluminum Alloy
Housing Color	silver
Heat Output	1997 BTU
IP Rating	IP65/surface
Operating Temperature	-10~40°C
Operating Humidity	10%-90% RH
Storage Temperature	-25~60°C
Storage Humidity	10%-90% RH
Warranty Time	5years
N.W(KG)	7.5kg(16.53LBS)
G.W(KG)	9.0kg(19.84LBS)
Packing Dimension(mm)	1110*185*230mm(43.7"*7.28"*9.06" 3.64*0.607*0.755")

Dimension Drawing

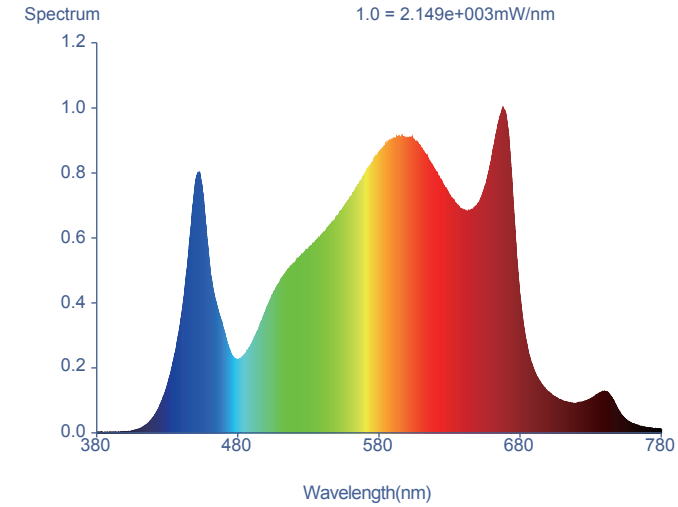


Length(L)	1050mm(41.3")
Width(W)	125mm(4.92")
Height(H)	157mm(6.18")

Recommended Application

Intended Applications	Greenhouse
-----------------------	------------

Spectral Distribution



PPFD Reading -- 4FT to 4FT area

521	563	565	541	554	587	579	524
519	582	609	617	630	622	602	570
595	599	638	640	639	624	593	585
585	595	636	648	640	624	582	570
562	594	631	651	652	637	601	568
592	620	645	641	636	617	600	588
508	604	629	626	609	601	570	533
494	525	539	537	535	543	573	495

4ft

573	610	617	600	597	615	608	569
600	659	676	678	692	679	643	638
658	705	753	750	749	720	688	669
604	724	787	795	783	768	709	621
623	750	797	814	811	786	724	643
703	750	772	780	765	746	719	700
575	692	717	714	705	704	680	610
566	570	623	635	628	636	581	558

3ft

Performance Data

Model	Input Voltage	Input Power	PPF	PPE	FCC
GL1-T1H-630-A66-A8D	100-277Vac	630W	1700 μ mol/s	2.7 μ mol/J	Yes

GROUP CONTROL DIMMER BOX INSTRUCTIONS electrivo

Instructions

Fixtures could be daisy chain for group control.

1. Definition:

CH1	RJ cable inlet
CH2	RJ cable outlet
DIMMER ON/OFF	Group dimming ON/OFF
CONNECT ON/OFF	Group lighting ON/OFF

2. Default setting:

DIMMER:ON CONNECT:ON Dimming:MIN

3. Function:

3.1 How to turn group ON/OFF

Switch all fixtures' "DIMMER" and "CONNECT" to "ON". The fixtures in the group can be on/off controlled by using the on/off switch of any single fixture.

3.2 How to dim group fixtures

Switch all the fixtures' "DIMMER" and "CONNECT" to "ON". The fixtures in the group can be dimmed by turning any one dimmer in the group.

3.3 How to control single fixture

If you need to independently control a single fixture, switch ONLY the "CONNECT" to "OFF". Then the fixture will not impact the settings of the rest of the group.

3.4 Connecting the external smart dimming device

This product can be controlled by the external smart dimming device using a RJ11 connector cord in two steps.

Step 1: Connect fixture(s) to the smart dimming device.

Step 2: Set the group for the smart control "DIMMER" to "OFF" and "CONNECT" to "ON", then enjoy your smart dimming control.

If you want to manually control a single fixture connected in the smart dimming group, switch "DIMMER" to "ON" and "CONNECT" to "OFF".

4. Method of troubleshooting when problems arise:

4.1 Unable to turn on the light

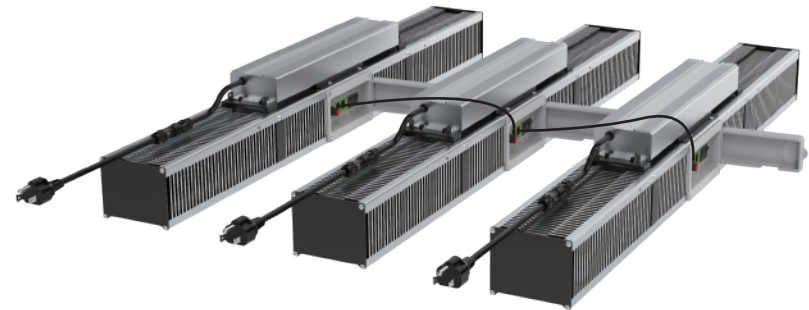
Check all the dimmer dial, make sure they are at 100% position.

4.2 Out of sync

Power on, group control the fixtures, but some one are out of sync. Check the "CONNECT" is set to "ON" on the fixture(s).

4.3 Unable dimming

Power on, dim the fixture he fixture fails to dim. Check the "DIMMER" is set to "ON" on the fixture(s).



This device complies with part 15 of the FCC Rules. Operation is subject to the following two conditions: (1) This device may not cause harmful interference, and (2) this device must accept any interference received, including interference that may cause undesired operation.

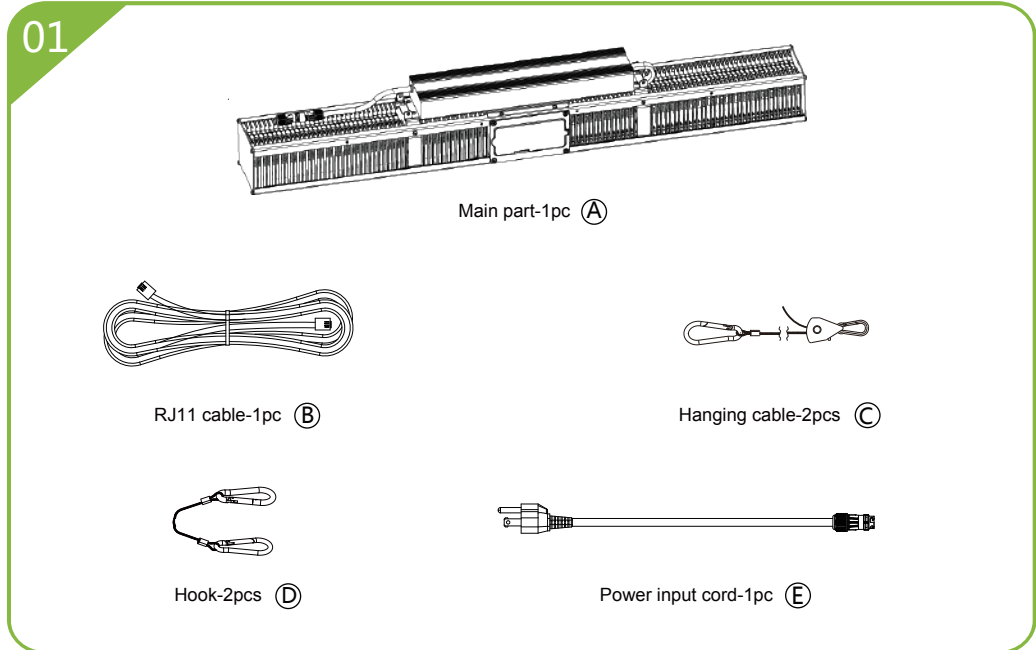
Installation & Usage Guide

WARNING AND CAUTION

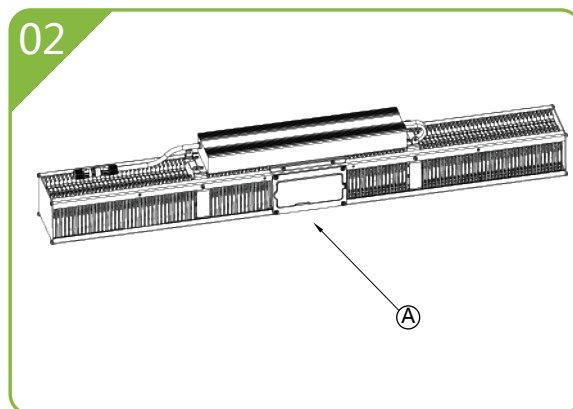
- > Please read the following instructions carefully before using this grow lighting fixture.
- > Please read the following instructions carefully before using this grow lighting fixture.
- > Don not connect or disconnect the LED fixture under load.
- > Always allow for a cool down period of at least 30 minutes before touching the LED fixture
- > Please DO NOT use this product outdoors.
- > Connect the cables according to local rules ,safety regulations and electrical code.
- > Mounting and installing of the LED fixture may only be executed by certified service person,in accordance with the applicable local laws and regulations.

PLANNING THE INSTALLATION

Read all instructions before installation. Before starting installation of this fixture or removal of a previous fixture,disconnect the power by turning of circuit breaker or by removing the fuse at the fuse box.

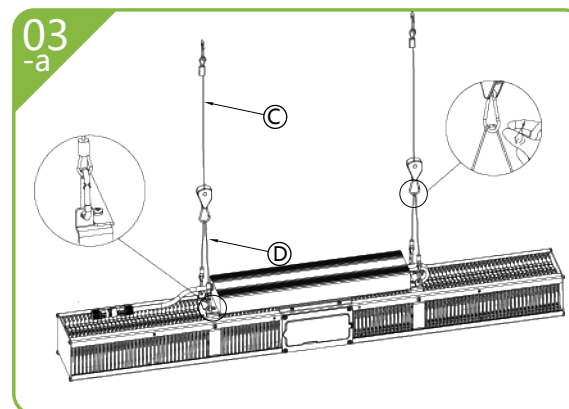


- Main part & Accessory.

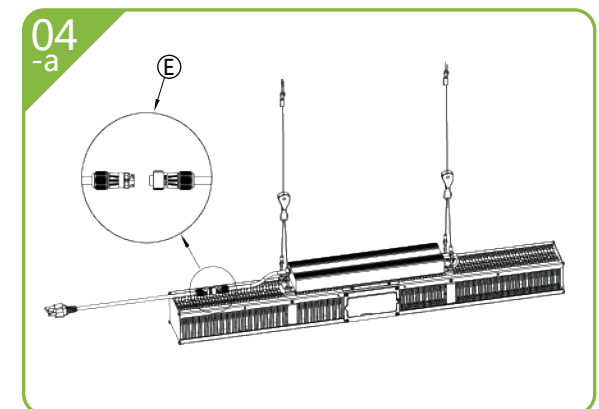


- Take the main part out of the box.

The First Installation method

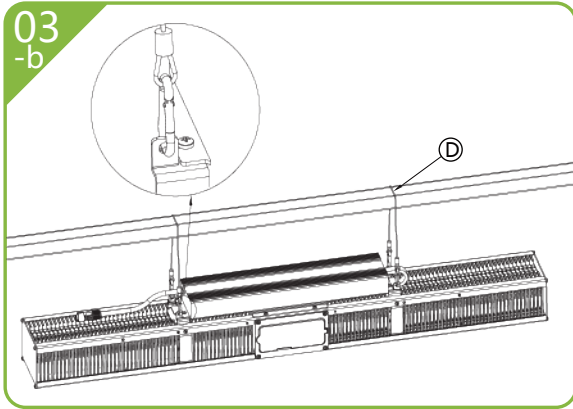


- Install the hanging cables.
- Hook the main part.

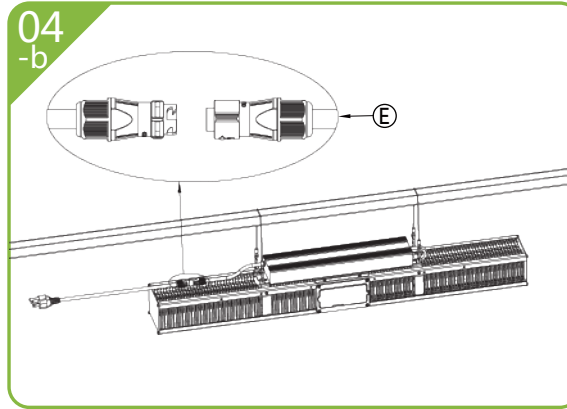


- Connect the power cord.

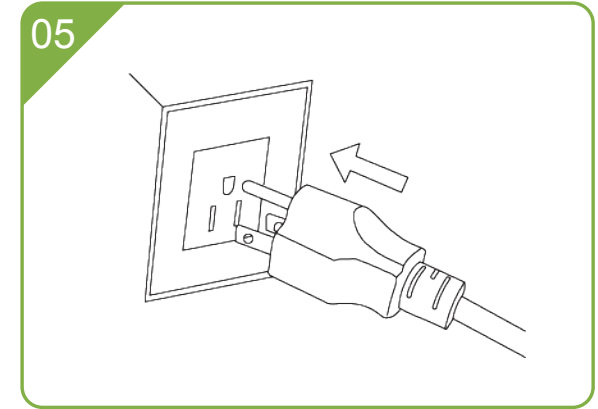
The Second Installation method



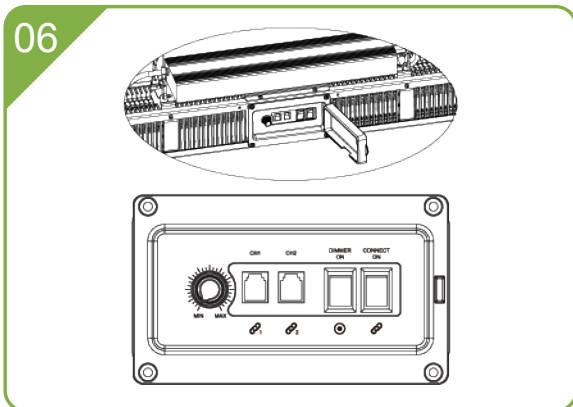
- Pass the hook through the mounting bracket and hang it on the hook of the lamp body so that the lamp body is parallel to the mounting bracket.



- Connect the power cord.



- Plug in the power plug.



- Dim to the needed output level.