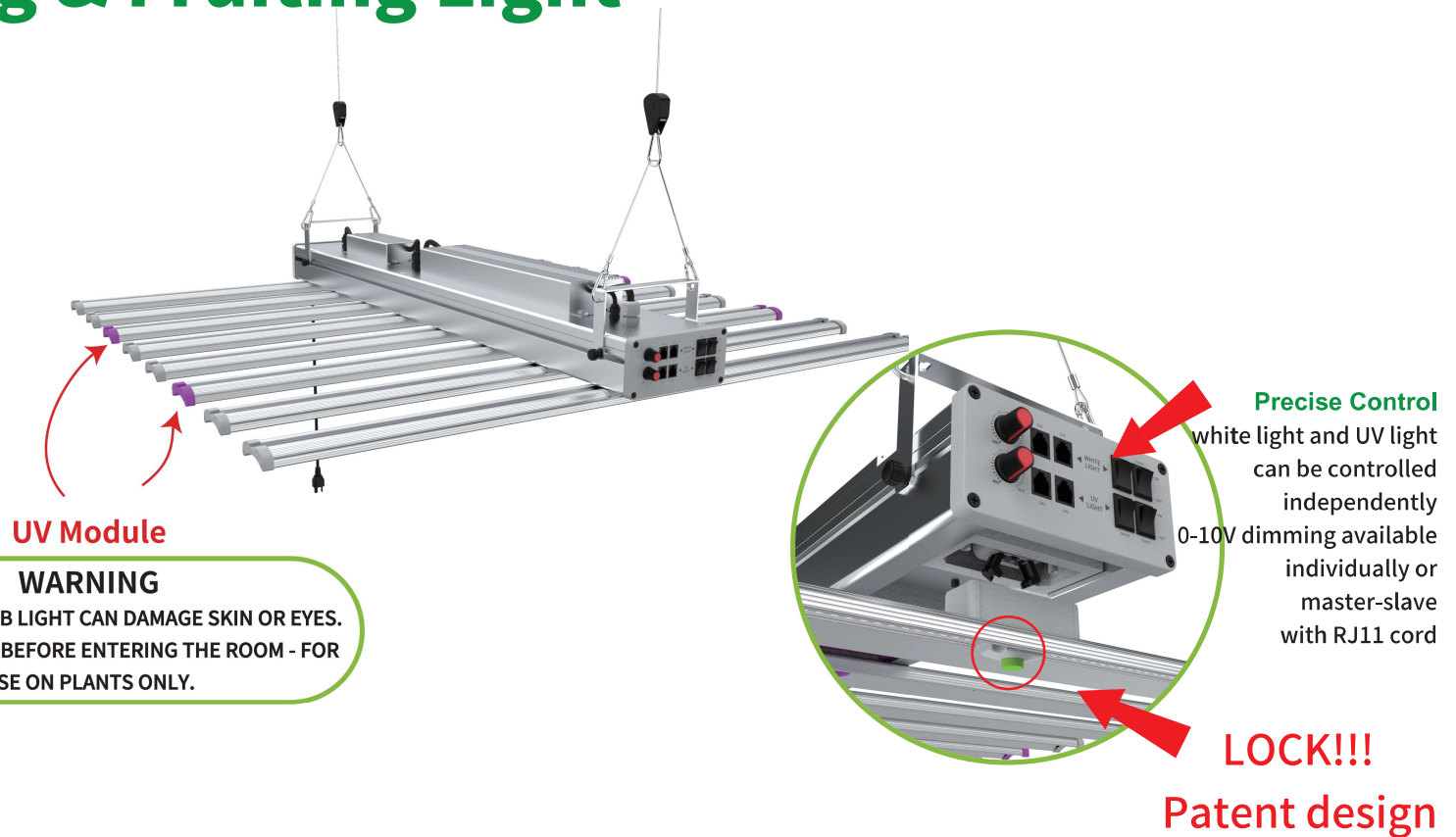


LED Flowering & Fruiting Light

electrivo

760W



UV Module

WARNING
EXPOSURE TO UVB LIGHT CAN DAMAGE SKIN OR EYES.
TURN LIGHT OFF BEFORE ENTERING THE ROOM - FOR
USE ON PLANTS ONLY.



Intended Applications

(Suitable for flowering growth, the late flowering.)

- Indoor Farming.
- Vertical Farming.

Features & Benefits

- Constant current drive, long lifetime.
- Full-spectrum, similar like sun light. Longer exposure time, increase more output.
- Including independent UV module, suitable for supplement light for plant at different cycle of growth, accelerate plant growth.
- Surface IP65 waterproof rating, suitable for high humidity environment application.
- 0-10V dimming; power factor >0.9.
- Flicker free, good for eyes.
- Suspending and ceiling mounting optional, lifting height could be 6in-48in.
- Application environment: mainly used in indoor cultivation.

- One-click press-type assembly, easy to install and upgrade.
- Upto 100pcs of light can be cascade dimmed via network cable.
- With UV light, it could bring the following benefits.
- Effectively increase the density of trichomes, the content of total flavonoids, and inhibit the development of molds and fungi, and improve the disease resistance of plants effectively.
- Effectively increase the content of tetrahydrocannabinol (THC) and increase the yield.
- Help the plants increase the ability to resist pests.
- Sustainable packaging to minimize packaging and transportation cost.
- Adjustable hanging cable, meet different height requirements during different plant period
- Elastic surround Mechanical and electrical connecting, much more safer and reliable.
- Independent external driver, easy installation and upgrade.
- Separated light module design, DIY according to the space and environment.
- Modular design to maximize sku while minimizing redundant inventory.

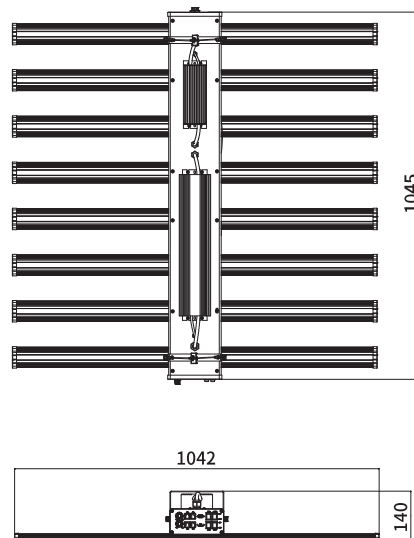
LED Flowering & Fruiting Light

760W PPE 2.8μmol/J

Features & Benefits

Input Power	660W white light and 100W UV light
Photosynthetic photon flux	2000μmol/s
Luminous Efficacy	2.8μmol/J
Viewing Angle	110°
CRI	>88
Input Voltage	100-277Vac 50/60Hz
Amp Draw	6.83A@120V, 3.80A@220V, 3.50A@240V, 3.04A@277V
PF	>0.9
THD	<20%
Driver Surge protection	6KV
Dimming	0-10V
LED Type	3000K+5000K 310nm+400nm+660nm+730nm(Samsung/Seoul Diodes)
Housing	Aluminum Alloy
Housing Color	Silver
Heat Output	2618 BTU
Operating Temperature	-10~40°C
Operating Humidity	10%-90% RH
Storage Temperature	-25~60°C
Storage Humidity	10%-90% RH
Warranty Time	5years
N.W (KG)	13.5Kg/29.76LBS
G.W (KG)	15.5Kg/34.17LBS
Packing Dimension(mm)	1162*245*310mm

Dimension Drawing



Dimensional Drawing

Length (L)	1045mm (41.1")
Width (W)	1042mm (41.0")
Height (H)	140mm (5.5")

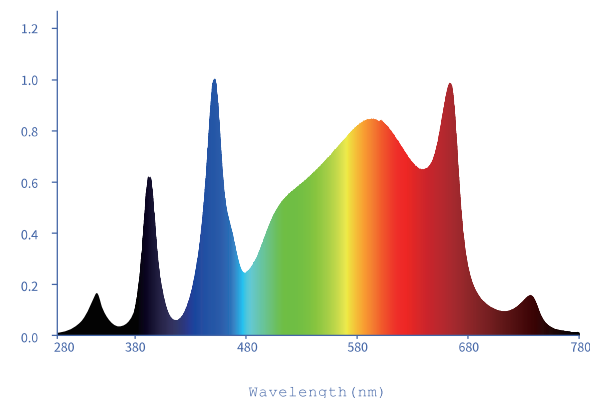
Recommended Application

Multi-layer	4-5FT wide benches, 4-6 in from canopy
Room	footprint 5x5FT Flowering, 6x6FT Vegetative
Tent	footprint 5x5FT Flowering, 6x6FT Vegetative

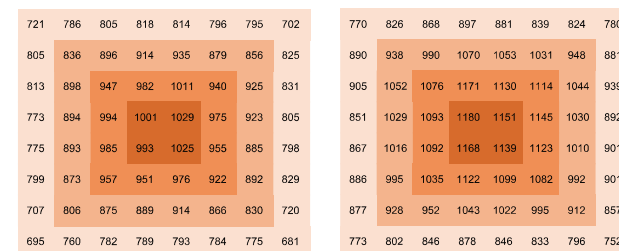
Performance Data

Model	Input Voltage	Input Power	PPF	PPE	ETL	DLC	FCC
GL8-H10-760-C66-A1D	100-277Vac	760W	2000μmol/s	2.8μmol/J	Yes	Yes	Yes

Spectral Distribution

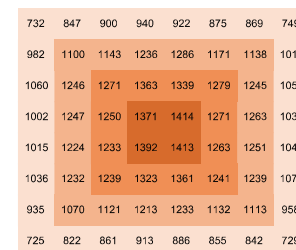


PPFD Reading - 4FT to 4FT area



0.6m 24"

0.45m 18"



0.3m 12"

DIMMER BOX USER MANUAL



Instruction

This dimming transfer box is prepared for connecting multiple lights, including two independent control modules. The upper one is for white light dimming, and the lower one is for UV lighting dimming. Each module controls the grow on/off and dimming by the coordination of two switches.

1. Definition:

CH1		Inlet
CH2		Outlet
ON/OFF	DIMMER	Group dimming on/off control
ON/OFF	CONNECT	Group lighting on/off control

2. Default setting:

DIMMER: ON CONNECT: ON Dimming: MIN (0%)

3. Function:

3.1 How to control group fixtures on/off

Switch all the fixtures' "DIMMER" and "CONNECT" on, the fixtures in the group can be on/off controlled by switching on/off any one of the fixture.

3.2 How to dim group fixtures

Switch all the fixtures' "DIMMER" and "CONNECT" on, the fixtures in the group can be dimmed by spinning the dimmer on any one of the fixture.

3.3 How to control single fixture

If you need to control any single one of the fixture, please switch the "DIMMER" on and "CONNECT" off, and then the fixture can be individually controlled, and wouldn't impact others.

3.4 How to dim some part of fixtures.

Set a group for the part needing dimming by switching their "DIMMER" and "CONNECT" on, and switch the "CONNECT" of the others to off. Now you have two groups: group A with "CONNECT" on, group B with "CONNECT" off. Dimming any one of the fixture in group A, all the fixtures in group A would be at the same dimming status.

3.5 Connect external smart dimming device

This product can be controlled by an external smart dimming device, which with RJ11 connector. Only two steps:

1st step: connect the smart device.

2nd step: set a group for smart control fixtures by switching the "DIMMER" off and "CONNECT" on, then enjoy your smart dimming control.

If you want to manually control one of the fixture, just switch "DIMMER" on and "CONNECT" off.

4. Method of troubleshooting when problems arise:

4.1 Unable to turn on the light

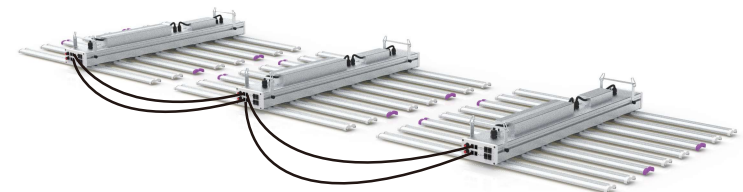
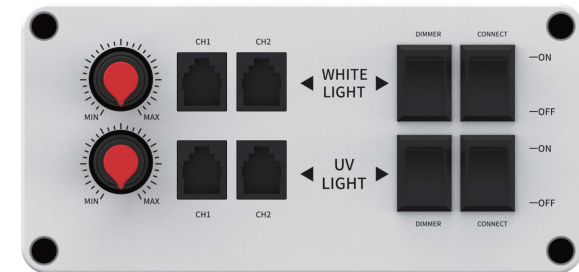
Check all the dimmers, make sure they are at 100% position.

4.2 Out of sync

Power on, group control the fixtures, but some are out of sync. It should be the "CONNECT" at the wrong position, please correct it to "on" position.

4.3 Unable dimming

Power on, dim the fixture but without response. It should be the "DIMMER" at the wrong position, please correct it to "on" position.



This device complies with part 15 of the FCC Rules. Operation is subject to the following two conditions: (1) This device may not cause harmful interference, and (2) this device must accept any interference received, including interference that may cause undesired operation.

Installation & Usage Guide

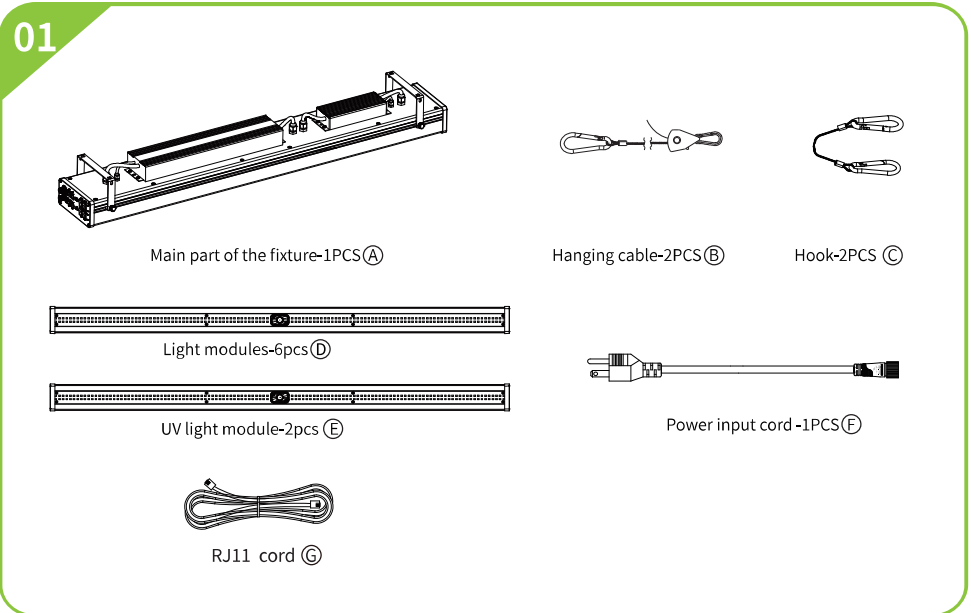
WARNING AND CAUTION

- > Please read the following instructions carefully before using this grow lighting fixture.
- > Make sure mains power is switched off before connecting the light fixture.
- > Don not connect or disconnect the LED fixture under load.
- > Always allow for a cool down period of at least 30 minutes before touching the LED bars.
- > Please DO NOT use this product outdoors.
- > Connect the cables according to local rules ,safety regulations and electrical code.
- > Mounting and installing of the LED fixture may only be executed by certified service person,in accordance with the applicable local laws and regulations.
- > **WHEN ASSEMBLING THE PRODUCT, PLEASE MAKE SURE THE COLOR OF THE LIGHT MODULE SHOULD BE THE SAME COLOR THE INSTALLATION BASE.**
- > **ALL THE LIGHT MODULES MUST BE ATTACHED TO THE CHASSIS AND WELL CONNECTED BEFORE TURNING ON THE POWER**
- > **EXPOSURE TO UVB LIGHT CAN DAMAGE SKIN OR EYES. TURN LIGHT OFF BEFORE ENTERING THE ROOM - FOR USE ON PLANTS ONLY.**

PLANNING THE INSTALLATION

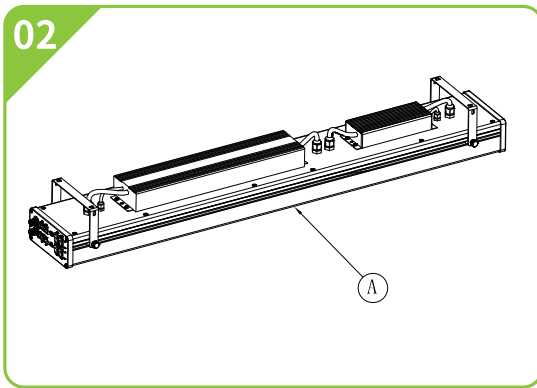
Read all instructions before installation. Before starting installation of this fixture or removal of a previous fixture,disconnect the power by turning of circuit breaker or by removing the fuse at the fuse box.

Installation method 1: Hoisting



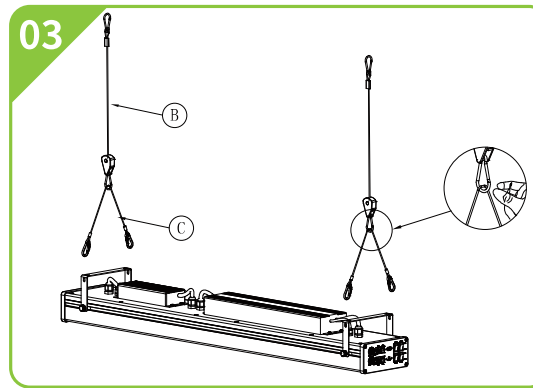
- Take the main part out

02



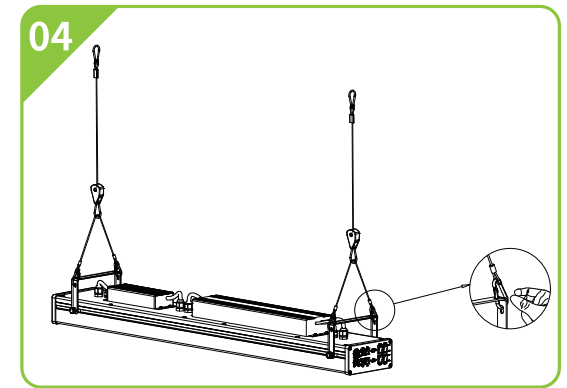
- Take the main part out

03

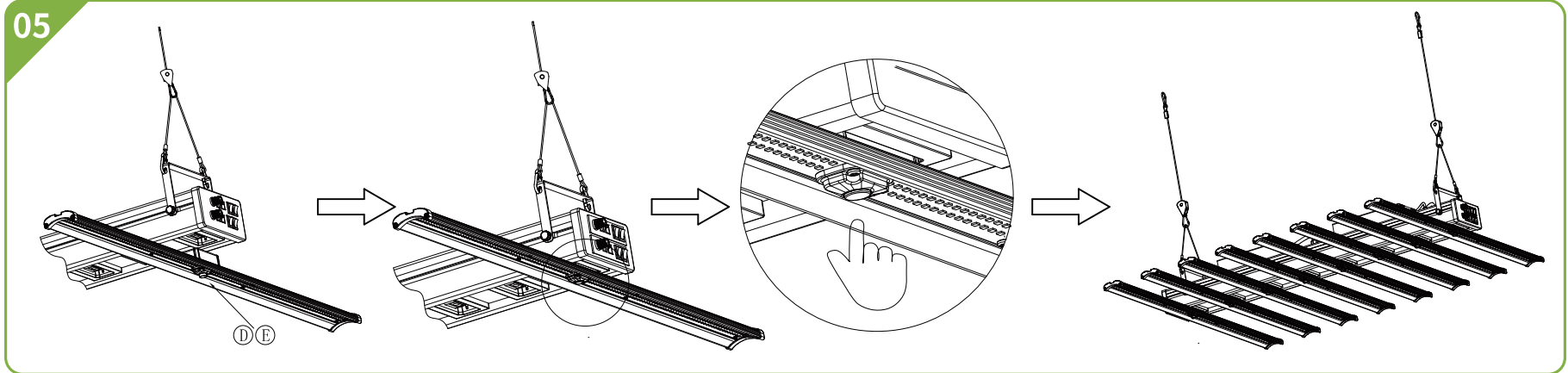


- Hook the main part.

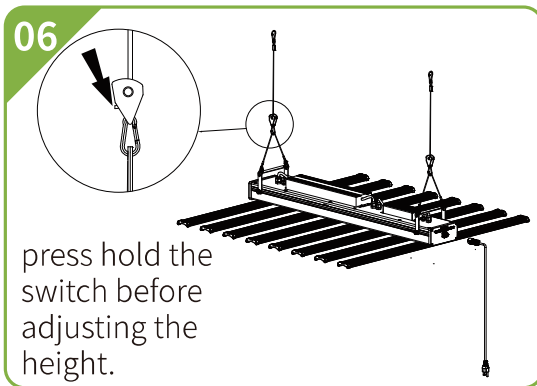
04



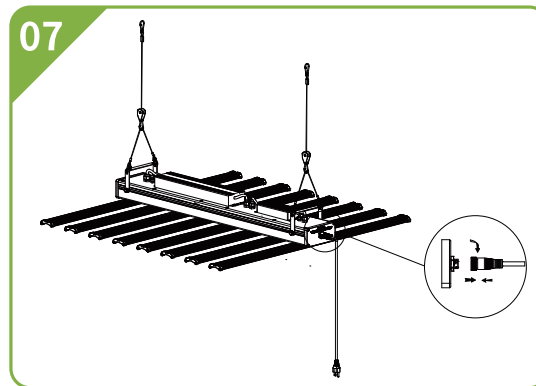
- Hook the main part.



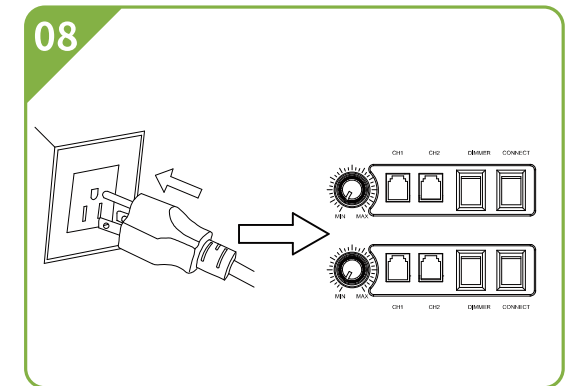
•Attach the light module to the chassis, press the button to lock.(Press again to remove the light module from the chassis.) The UV light module should be installed on the third and the sixth purple base .



•Adjust the height by pull the cable.



•Connect the power cord.



•Plug in the power.
•Dim to the desired light.