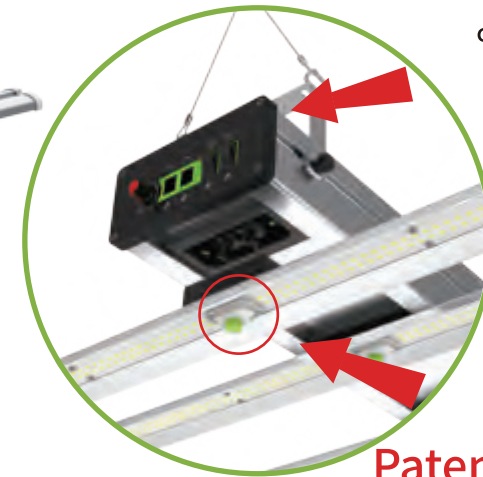


# LED GROW LIGHT

## XBAR 1600e

electrivo 



### Precise Control

0-10V dimming control for individual fixture or fixture group dimming control( daisy chain via RJ11 cable )

**SNAP ON/OFF!**

**Patented Design**

### Application

(Suitable for flowering growth.)

- Indoor Farming
- Vertical Farming

### Features & Benefits

- Constant current driver, durable life
- Full-spectrum, similar to sunlight, higher crop yield
- IP65 waterproof rating, suitable for high humidity application
- 0-10V dimming
- Flicker free
- Suspension and ceiling mounting option, mounting height 6" - 48"
- Application environment: indoor cultivation

- **One-click snap-on assembly, easy to install and upgrade.**
- **Dimmable upto 100 fixtures via daisy chain.**
- Sustainable packaging to minimize packaging and transportation cost.
- Adjustable hanging cable, adaptable to different stage of the grow cycle.
- Robust mechanical and electrical connection for product reliability.
- Independent external driver, easy installation and upgrade.
- Separable modular design, customizable to unique cultivation requirement.
- Modular design to maximize selling configuration while minimizing redundant inventory.

# LED GROW LIGHT

## XBAR 1600e

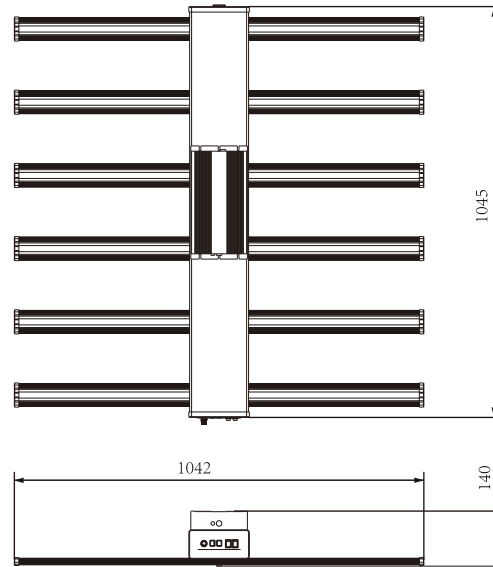
### Features & Benefits

Input Power	630W
Photosynthetic Photon Flux	1600μmol/s
Luminous Efficacy	2.55μmol/J
Viewing Angle	110°
CRI	>88
Input Voltage	100-277Vac 50/60Hz
Amp Draw	5.69A@120V, 3.16A@220V, 2.91A@240V, 2.53A@277V
PF	>0.9
THD	<20%
Driver Surge Protection	6KV
Dimming	0-10V
LED Type	3000K+5000K 660nm+730nm(Samsung/Seoul Diodes)
Housing	Aluminum Alloy
Housing Color	Silver
Heat Output	2096 BTU
Operating Temperature	-10~40°C
Operating Humidity	10%-90% RH
Storage Temperature	-25~60°C
Storage Humidity	10%-90% RH
Warranty Time	5years
N.W	11.5Kg/25.35LBS
G.W	13.5Kg/29.76LBS
Packing Dimension	1162*245*245mm

### Performance Data

Model	Input Voltage	Input Power	PPF	PPE	ETL	DLC	FCC
GL6-H10-630-A66-A1D	100-277Vac	630W	1600μmol/s	2.55μmol/J	Yes	Yes	Yes

### Dimension Drawing

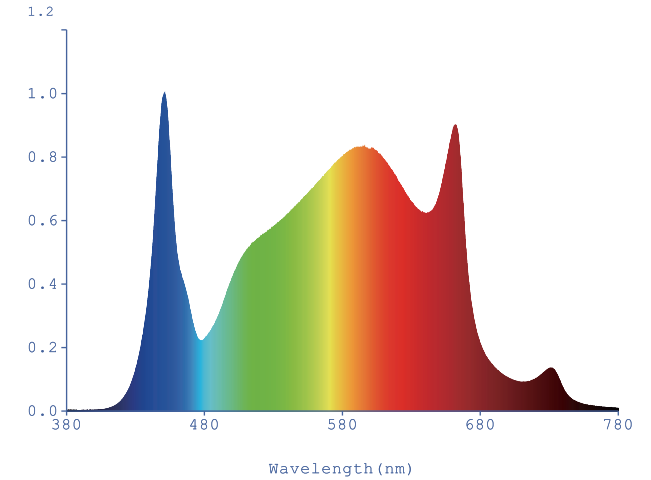


Length (L)	1045mm (41.1")
Width (W)	1042mm (41.0")
Height (H)	140mm (5.5")

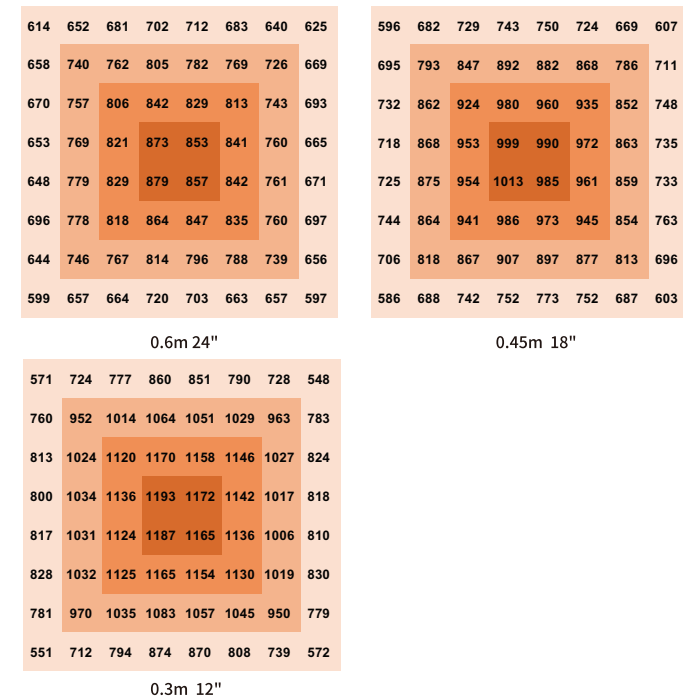
### Recommended Application

Multi-layer	4-5FT wide benches, 4-6 in from canopy
Room	footprint 5x5FT Flowering, 6x6FT Vegetative
Tent	footprint 5x5FT Flowering, 6x6FT Vegetative

### Spectral Distribution



### PPFD Reading -- 4FT to 4FT area



# DIMMER BOX GROUP CONTROL INSTRUCTION

## Instruction

Fixtures could be daisy chain for group control.

### 1. Definition:

CH1	RJ cable inlet
CH2	RJ cable outlet
DIMMER ON/OFF	Group dimming ON/OFF
CONNECT ON/OFF	Group lighting ON/OFF

### 2. Default setting:

DIMMER:ON CONNECT:ON Dimming: MIN(0%)

### 3. Function:

#### 3.1 How to turn group ON/OFF

Set all the fixtures "DIMMER" and "CONNECT" on, then the group could be turn ON/OFF by setting one individual fixture to ON/OFF.

#### 3.2 How to dim group fixtures

Set all the fixtures "DIMMER" and "CONNECT" on, the fixtures in the group can be dimmed by turning the dimmer dial on the any one of the fixture.

#### 3.3 How to control single fixture

If you need to control any single one of fixture, please set the "DIMMER" on and "CONNECT" off, and then the fixture can be controlled individually.

#### 3.5 Connect external smart dimming device

This product can be controlld by external smart dimming device with RJ11 connector in two steps:

- \* Connect the smart dimmer via RJ cable.
- \* Set the "DIMMER" OFF and "CONNECT" ON for a desired group of fixture.

### 4. Method of troubleshooting when problems arise:

#### 4.1 Unable to turn on the light

Check all the dimmer dial, make sure they are at 100% position.

#### 4.2 Out of sync

Power on, group control the fixtures, but some one are out of sync. Check the "CONNECT" is set to "ON" on the fixture(s).

#### 4.3 Unable dimming

Power on, dim the fixture the fixture fails to dim. Check the "DIMMER" is set to "ON" on the fixture(s).



This device complies with part 15 of the FCC Rules. Operation is subject to the following two conditions: (1) This device may not cause harmful interference, and (2) this device must accept any interference received, including interference that may cause undesired operation.

# Installation & Usage Guide

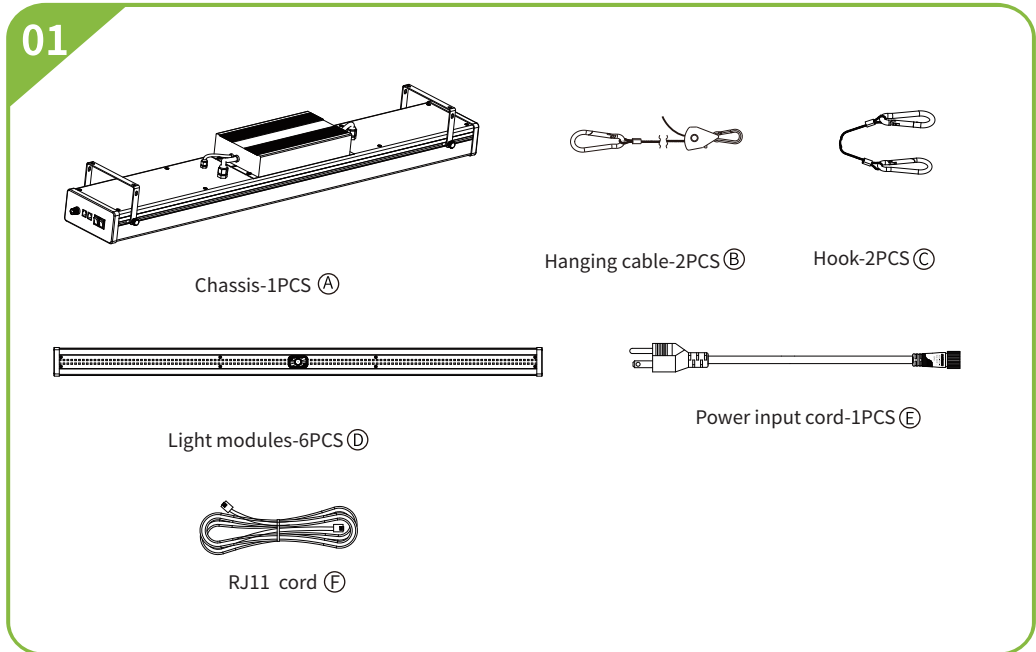
## WARNING AND CAUTION

- \* Please read the following instructions carefully before using this grow lighting fixture.
- \* Make sure main power is switched off before connecting the light fixture.
- \* DO NOT connect or disconnect the LED fixture under load.
- \* Always allow for a cool down period of at least 30 minutes before touching the LED bars.
- \* Please DO NOT use this product outdoors.
- \* Connect the cables according to local laws, safety regulations and electrical code.
- \* Mounting and installing of the LED fixture may only be performed by certified service person, in accordance with the applicable local laws and regulations.

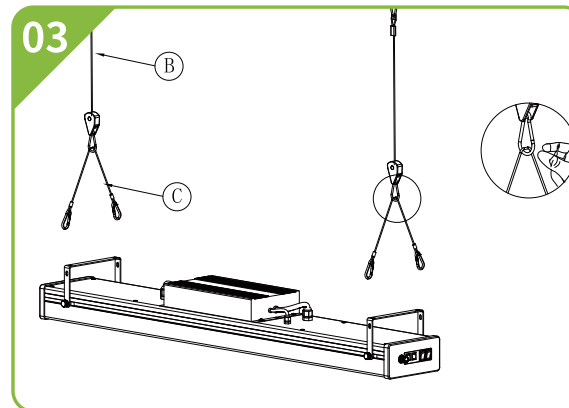
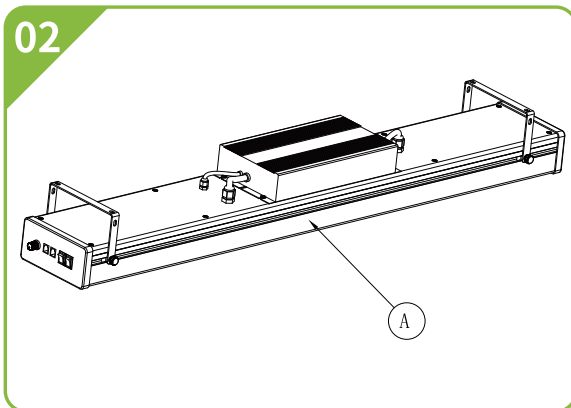
## PLANNING THE INSTALLATION

Read all instructions before installation. Before starting installation of this fixture or removal of a previous fixture, disconnect the power by turning off circuit breaker or by removing the fuse at the fuse box.

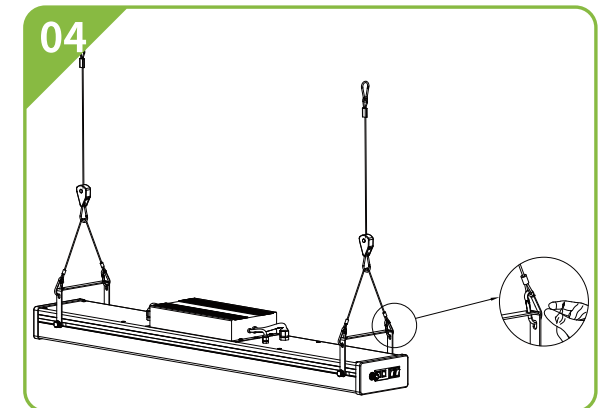
## Installation method 1: Hoisting



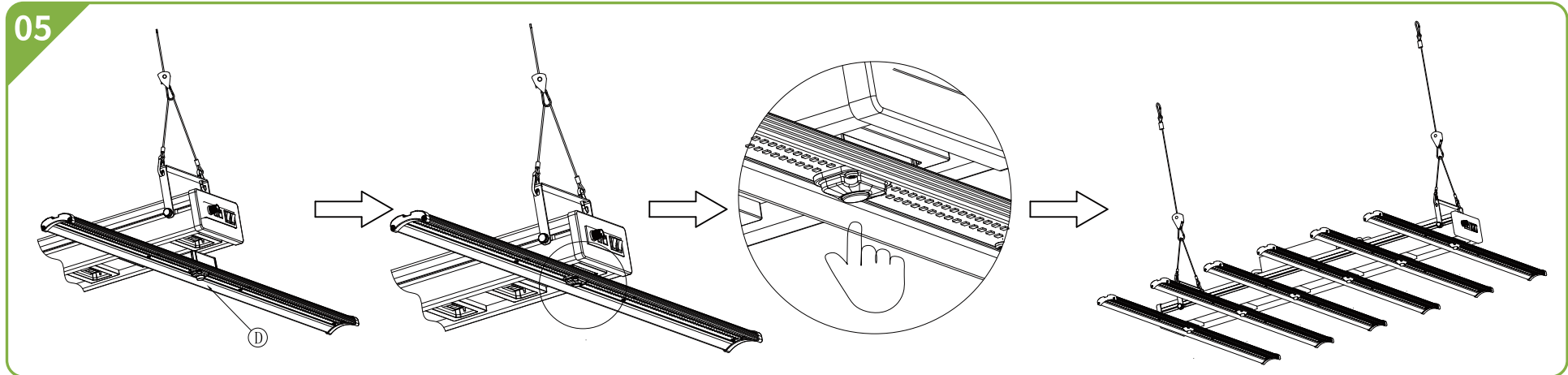
- Take the main part out



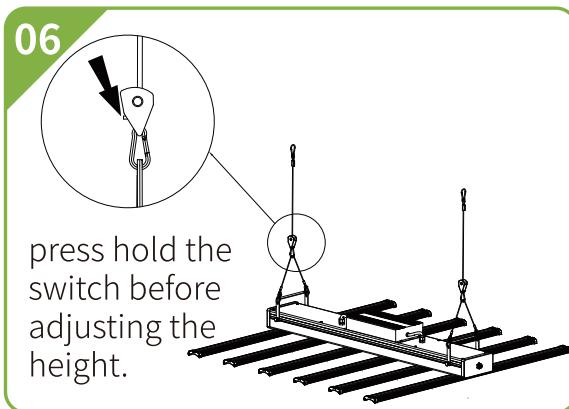
- Hook the main part.



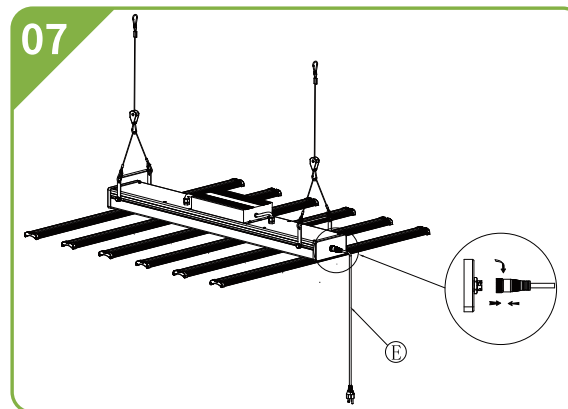
- Hook hanging cable to the chassis.



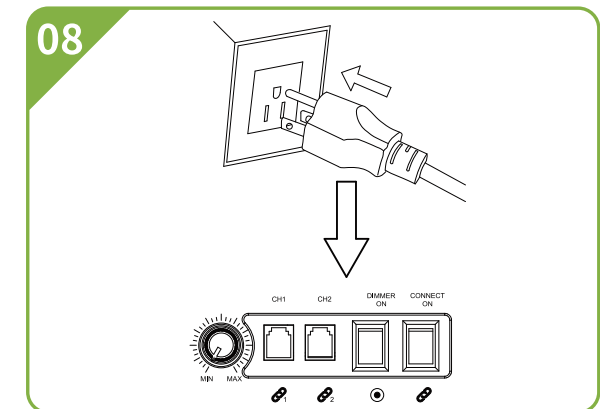
•Attach the light module to the chassis, press the button to lock.(Press again to remove the light module from the chassis.)



•Adjust the height by pull the cable.



•Connect the power cord.



•Plug in the power.  
•Dim to the desired light.