

LED grow light

Flexible configuration for more application, in low rooms, on vertical racks, over benches, and even in tents. Toolless installation effectively, simplify the mounting process, saving labor cost.

XLink B

Greenhouses and Indoor Farms

- * FCC compliant constant current LED driver with stable performance;
- * Extruded tube, bright and neat, no shadow;
- * Provide full-spectrum light as natural sunshine for horticulture lighting, suitable for extension of photo-period to expand crop yield;
- * Designed for residential growers, optimize the grow space and quality of vegetables;
- * **Linkable with joint plug, maximum for 16pcs connection;**
- * Suspend and surface mounting optional;
- * Connect by both way of side-to-side and bottom-to-bottom easily.

High efficiency
up to 1.96/2.4 $\mu\text{mol}/\text{J}$

Low weight and novel
installation method simplifies
the mounting process

Damp location

**Unique design
and small footprint**
minimize shadowing, allowing
more natural light through

Impact-resistant design
ABS+PC

Operating environment:
-10°~40°

PATENT DESIGN / PRODUCT



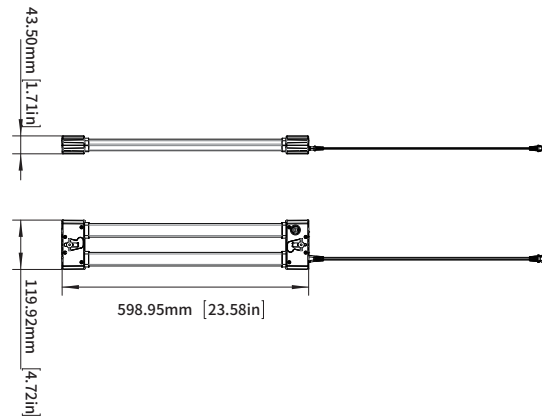
XLink B

20W PPE1.96μmol/J

Features & Benefits

Input Power	20W
Photosynthetic photon flux	39.2μmol/s
Luminous Efficacy	1.96μmol/J
Viewing Angle	110°
CRI	≥80
Input Voltage	120V
PF	>0.7
Driver Surge protection	1KV
IP Rating	damp location
LED Type	5000K+660nm
Housing	ABS+PC
Housing Color	white
Operating Temperature	-10~40°C
Operating Humidity	10%-90% RH
Storage Temperature	-25~60°C
Storage Humidity	10%-90% RH
Warranty Time	3years
N.W (KG)	0.33Kg
G.W (KG)	0.51Kg
Packing Dimension(mm)	680*60*135mm

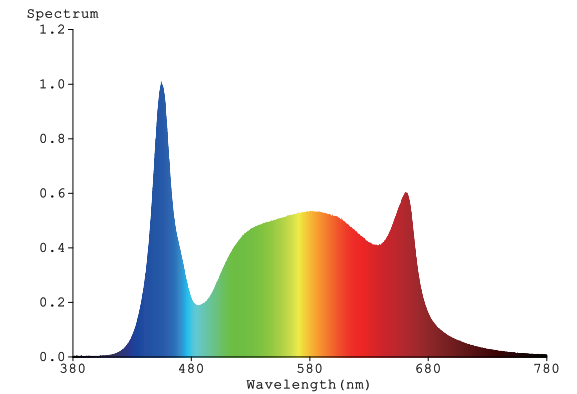
Dimension



Dimensional Drawing

Length (L)	600mm(23.6")
Width (W)	120mm(4.72")
Height (H)	44mm(1.73")

Spectral Distribution



PPFD Reading- 2FT to 2FT area

31	41	39	32	55	64	64	56
121	205	202	129	79	104	101	82
127	206	202	138	81	102	101	83
32	43	43	34	57	63	62	56

0.15m 6"

0.30m 12"

62	64	61	60
63	70	72	62
62	71	72	63
63	63	64	62

0.45m 18"

Performance Data

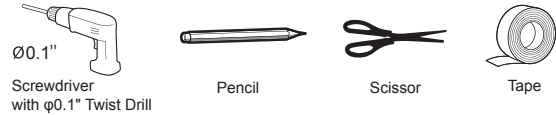
Model	Input Voltage	Input Power	PPF	PPE	ETL	FCC
GPGL-A3-L60-20-A66-A1	120V	20W	39.2μmol/s	1.96μmol/J	Yes	Yes

Installation & Usage Guide

WARNING:

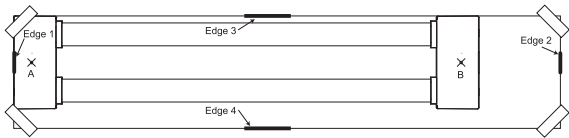
These products may represent a possible shock or fire hazard if improperly installed. Products should be installed in accordance to the manual, current electrical codes and/or the current National Electric Code (NEC).

TOOLS TYPICALLY USED FOR INSTALLATIONS



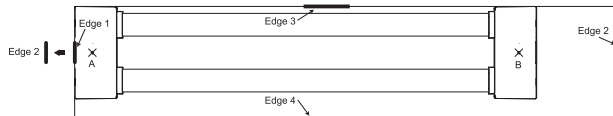
Installation:

1. Remove the clear plastic bag from the lights before installation.
2. Choose your desired installation position. Tape the template and make two small holes at the screw marked "A" & "B".

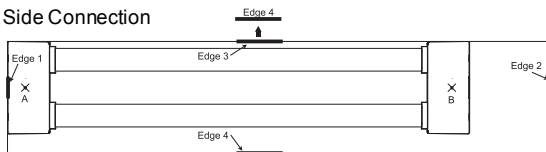


3. Before installing another light, check the following below:
 - 3.1. If end to end connection, draw a line along edge 2
 - 3.2. If side to side connection, draw a line along edge 4
4. Move the template to the side and align edge to the marked line.

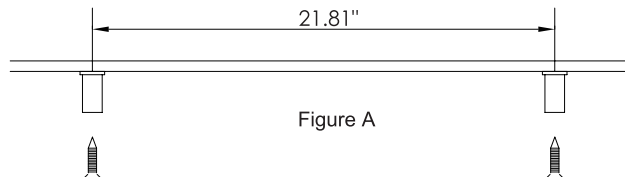
End to End Connection:



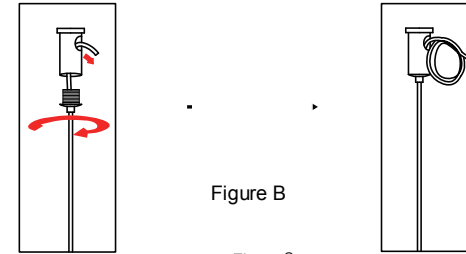
Side to Side Connection



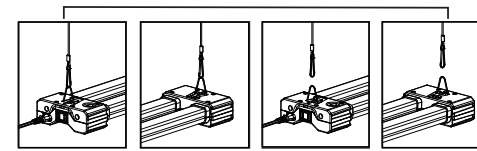
5. Make another two small holes at the screw marked "A" & "B".
6. Repeat step 3, 4, 5 if installing a third grow light.
7. Remove the template and then screw the ceiling anchor (disassemble from hanging cable first) into the marked holes. (See Figure A)



8. Thread the cable into the cable stop. Then tread the cable into the ceiling anchor and out from the side. Screw the cable stop into the ceiling anchor. To adjust the length of the cable, pull the cable from the end near the ceiling anchor. If needed, push the cable stop and pull the cable downwards to make it longer.

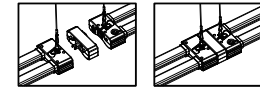


9. Hook the cable clip to the end-cap on both sides. (See Figure C)

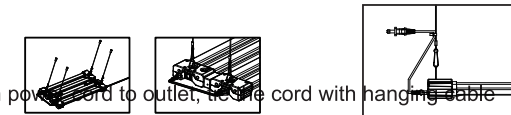


10. Connection Optional

- 10.1. End to End Linking: Insert connecting cord into connection box and then connect two lights with the connection box. (See Figure D)



- 10.2. Side to Side Linking: Slide the small connection box in between two light fixtures. (See Figure E)



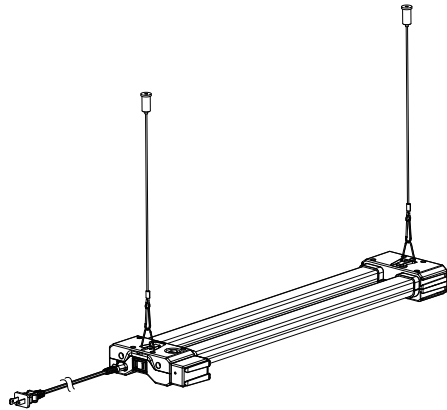
11. Plug in power cord to outlet, tie the cord with hanging cable

LIMITED WARRANTY

This product is warranted to be free from defects in workmanship and materials for up to 5 years from date of purchase. Do not return the product to the store. If item fails to do so or if you have any questions or concerns, please contact Boost Lighting at customer@boostlightinginc.com for assistance.

Installation method 1: Hoisting

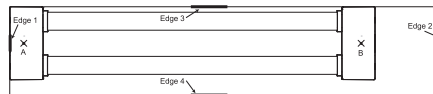
01



PACKAGE CONTENTS



Grow light x 1



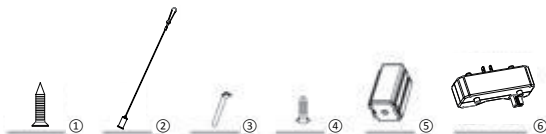
Templatex 1



5ft plug-in power cord x 1

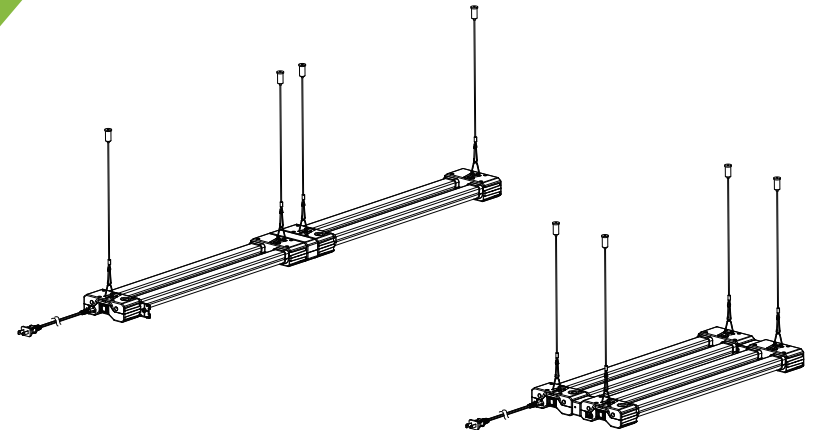


9" connection cord x 1



Parts	Description	Quantity
①	Screw	2
②	Hanging Cable w/ ceiling anchor	2
③	Zip Tie	1
④	Drywall Anchor	2
⑤	Side to Side Connector	2
⑥	End to End Connector	1

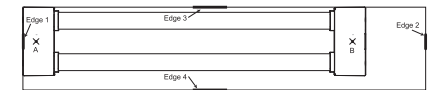
02



PACKAGE CONTENTS



Grow light x 2



Templatex 1



5ft plug-in power cord x 1

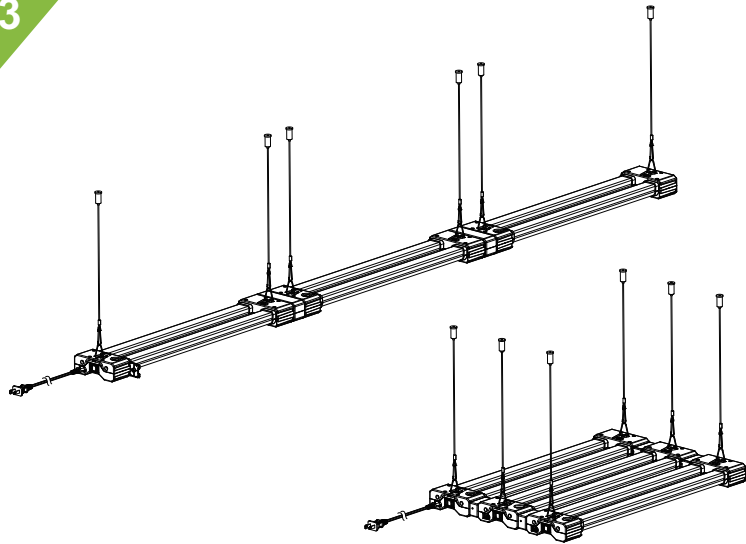


9" connection cord x 1



Parts	Description	Quantity
①	Screw	4
②	Hanging Cable w/ ceiling anchor	4
③	Zip Tie	2
④	Drywall Anchor	4
⑤	Side to Side Connector	2
⑥	End to End Connector	1

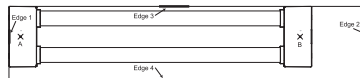
03



PACKAGE CONTENTS



Grow light x 3



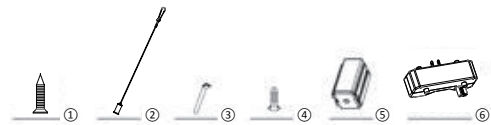
Templatex 1



5ft plug-in power cord x 1

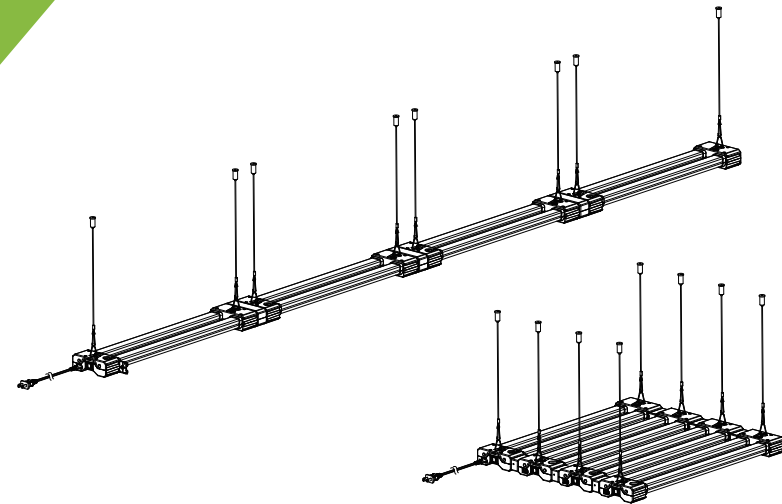


9" connection cord x 2

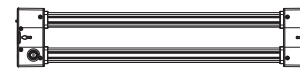


Parts	Description	Quantity
①	Screw	6
②	Hanging Cable w/ ceiling anchor	6
③	Zip Tie	3
④	Drywall Anchor	6
⑤	Side to Side Connector	4
⑥	End to End Connector	2

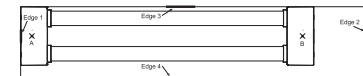
04



PACKAGE CONTENTS



Grow light x 4



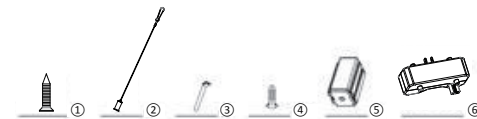
Templatex 1



5ft plug-in power cord x 1



9" connection cord x 3



Parts	Description	Quantity
①	Screw	8
②	Hanging Cable w/ ceiling anchor	8
③	Zip Tie	4
④	Drywall Anchor	8
⑤	Side to Side Connector	6
⑥	End to End Connector	3