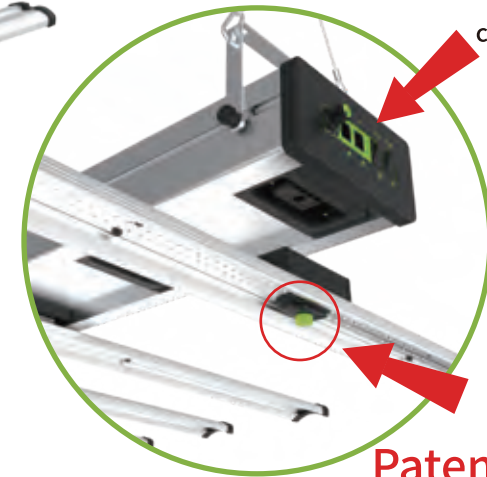


LED GROW LIGHT

800W

electriv 



Precise Control

0-10V dimming control for individual fixture or fixture group dimming control(daisy chain via RJ11 cable)

SNAP ON/OFF!

Patented Design



Application

(Suitable for flowering growth.)

- Indoor Farming
- Vertical Farming

Features & Benefits

- Constant current driver, durable life
- Full-spectrum, similar to sunlight, higher crop yield
- IP65 waterproof rating, suitable for high humidity application
- 0-10V dimming
- Flicker free
- Suspension and ceiling mounting option, mounting height 6" - 68"
- Application environment: indoor cultivation

- One-click snap-on assembly, easy to install and upgrade
- Dimmable upto 100 fixtures via daisy chain
- Sustainable packaging to minimize packaging and transportation cost
- Adjustable hanging cable, adaptable to different stage of the grow cycle
- Robust mechanical and electrical connection for product reliability
- Independent external driver, easy installation and upgrade
- Separable modular design, customizable to unique cultivation requirement
- Modular design to maximize selling configuration while minimizing redundant inventory

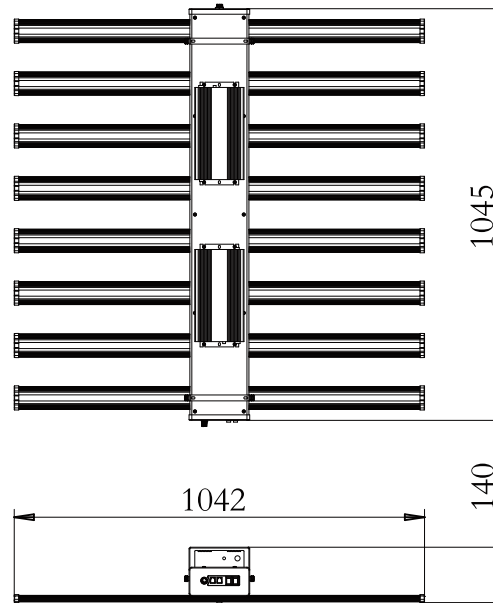
LED GROW LIGHT

800W PPE 2.8 μ mol/J

Features & Benefits

Input Power	800W
Photosynthetic photon flux	2214 μ mol/s
Luminous Efficacy	2.8 μ mol/J
Viewing Angle	110°
CRI	>88
Input Voltage	100-277Vac 50/60Hz
Amp Draw	7.18A@120V, 4.17A@220V, 3.84A@240V, 3.34A@277V
PF	>0.9
THD	<20%
Driver Surge protection	6KV
Dimming	0-10V
LED Type	3000K+5000K 660nm+730nm(Samsung/Seoul Diodes)
Housing	Aluminum Alloy
Housing Color	Silver
Heat Output	2608 BTU
Operating Temperature	-10~40°C
Operating Humidity	10%-90% RH
Storage Temperature	-25~60°C
Storage Humidity	10%-90% RH
Warranty Time	5years
N.W (KG)	14.7Kg/32.41LBS
G.W (KG)	16.7Kg/36.82LBS
Packing Dimension(mm)	1162*245*310mm

Dimension Drawing

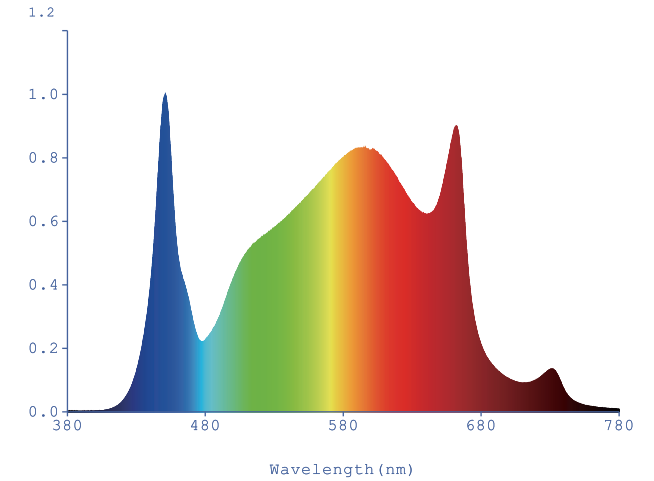


Length (L)	1045mm (41.1")
Width (W)	1042mm (41.0")
Height (H)	140mm (5.5")

Recommended Application

Multi-layer	4-5FT wide benches, 4-6 in from canopy
Room	footprint 6x6FT Flowering, 7x7FT Vegetative
Tent	footprint 6x6FT Flowering, 7x7FT Vegetative

Spectral Distribution



PPFD Reading -- 4FT to 4FT area

1006	1122	1150	1188	1172	1146	1118	1035
1096	1197	1275	1359	1328	1303	1201	1117
1119	1240	1362	1439	1424	1380	1248	1130
1087	1281	1389	1478	1452	1415	1261	1102
1095	1270	1382	1488	1468	1413	1270	1118
1111	1258	1373	1434	1412	1377	1246	1128
1097	1185	1289	1353	1333	1310	1179	1113
1010	1115	1127	1175	1152	1119	1102	1014
999	1156	1225	1273	1268	1228	1161	1030
1147	1302	1442	1551	1456	1472	1329	1178
1199	1416	1586	1659	1643	1598	1430	1213
1169	1423	1615	1722	1697	1647	1457	1199
1188	1443	1611	1722	1692	1637	1460	1207
1236	1436	1582	1678	1649	1599	1416	1259
1139	1335	1453	1542	1528	1468	1300	1153
980	1134	1223	1289	1261	1197	1164	1006

0.6m 24"

0.45m 18"

996	1265	1335	1460	1438	1327	1235	1001
1093	1445	1690	1829	1807	1680	1446	1129
1302	1695	1927	2024	2011	1960	1721	1337
1310	1711	1930	2039	2010	1959	1738	1328
1284	1715	1928	2020	1992	1938	1719	1318
1318	1707	1910	2002	1984	1933	1713	1336
1099	1456	1720	1835	1813	1710	1458	1117
1007	1290	1370	1485	1453	1361	1256	1033

0.3m 12"

Performance Data

Model	Input Voltage	Input Power	PPF	PPE	ETL	FCC
GL8-H10-800-A66-A1D	100-277Vac	800W	2214 μ mol/s	2.8 μ mol/J	Yes	Yes

DIMMER BOX GROUP CONTROL INSTRUCTION

Instruction

Fixtures could be daisy chain for group control.

1. Definition:

CH1	RJ cable inlet
CH2	RJ cable outlet
DIMMER ON/OFF	Group dimming ON/OFF
CONNECT ON/OFF	Group lighting ON/OFF

2. Default setting:

DIMMER:ON CONNECT:ON Dimming:MIN(0%)

3. Function:

3.1 How to turn group ON/OFF

Set all the fixtures "DIMMER" and "CONNECT" on, then the group could be turn ON/OFF by setting one individual fixture to ON/OFF.

3.2 How to dim group fixtures

Set all the fixtures "DIMMER" and "CONNECT" on, the fixtures in the group can be dimmed by turning the dimmer dial on the any one of the fixture.

3.3 How to control single fixture

If you need to control any single one of fixture, please set the "DIMMER" on and "CONNECT" off , and then the fixture can be controlled individually.

3.4 Connect external smart dimming device

This product can be controlld by external smart dimming device with RJ11 connector in two steps:

- * Connect the smart dimmer via RJ cable.
- * Set the "DIMMER" OFF and "CONNECT" ON for a desired group of fixture.

4. Method of troubleshooting when problems arise:

4.1 Unable to turn on the light

Check all the dimmer dial, make sure they are at 100% position.

4.2 Out of sync

Power on, group control the fixtures, but some one are out of sync. Check the "CONNECT" is set to "ON" on the fixture(s).

4.3 Unable dimming

Power on, dim the fixture the fixture fails to dim. Check the "DIMMER" is set to "ON" on the fixture(s).



This device complies with part 15 of the FCC Rules. Operation is subject to the following two conditions: (1) This device may not cause harmful interference, and (2) this device must accept any interference received, including interference that may cause undesired operation.

Installation & Usage Guide

WARNING AND CAUTION

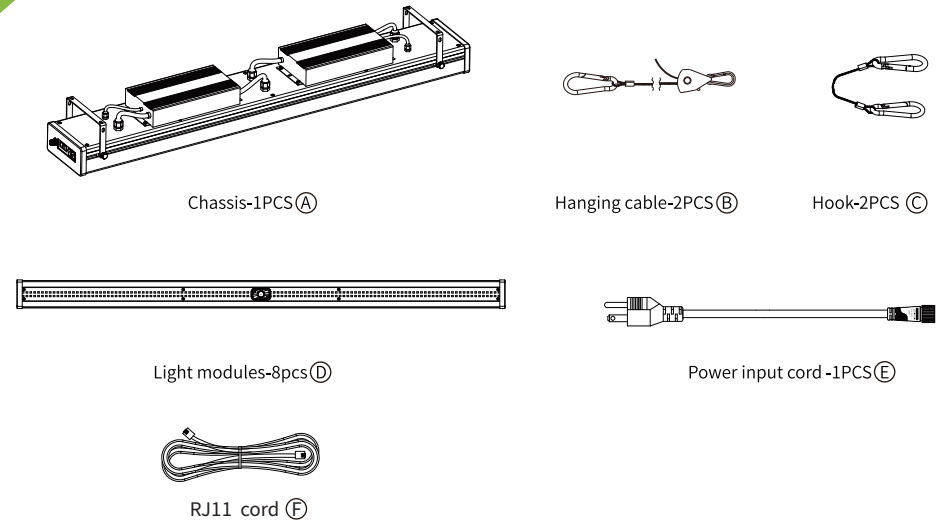
- * Please read the following instructions carefully before using this grow lighting fixture.
- * Make sure main power is switched off before connecting the light fixture.
- * DO NOT connect or disconnect the LED fixture under load.
- * Always allow for a cool down period of at least 30 minutes before touching the LED bars.
- * Please DO NOT use this product outdoors.
- * Connect the cables according to local laws, safety regulations and electrical code.
- * Mounting and installing of the LED fixture may only be performed by certified service person, in accordance with the applicable local laws and regulations.
- * **ALL THE LIGHT MODULES MUST BE ATTACHED TO THE CHASSIS AND WELL CONNECTED BEFORE TURNING ON THE POWER.**

PLANNING THE INSTALLATION

Read all instructions before installation. Before starting installation of this fixture or removal of a previous fixture, disconnect the power by turning off circuit breaker or by removing the fuse at the fuse box.

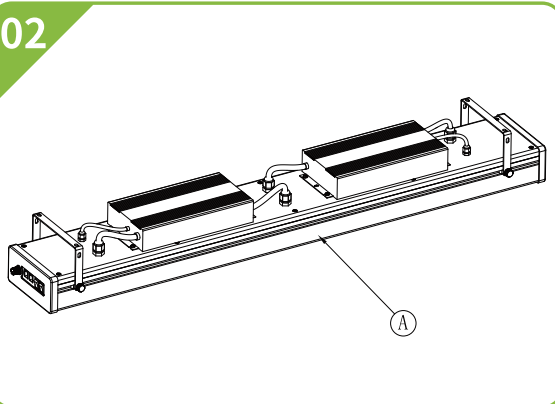
Installation method 1: Hoisting

01

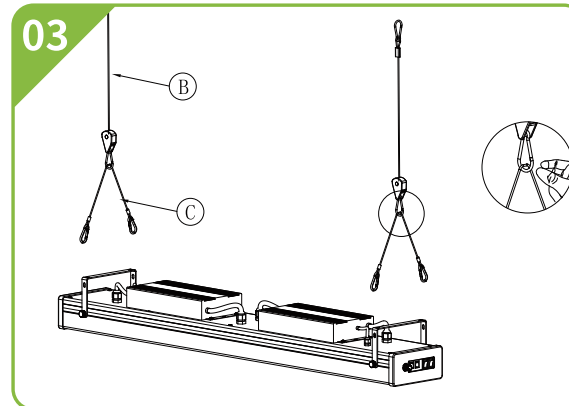


- Take everything out of box.

02

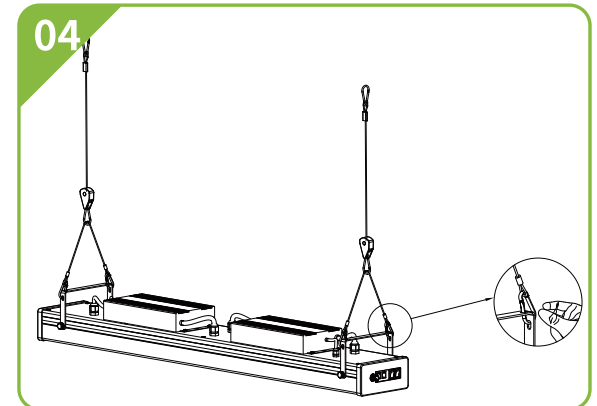


03

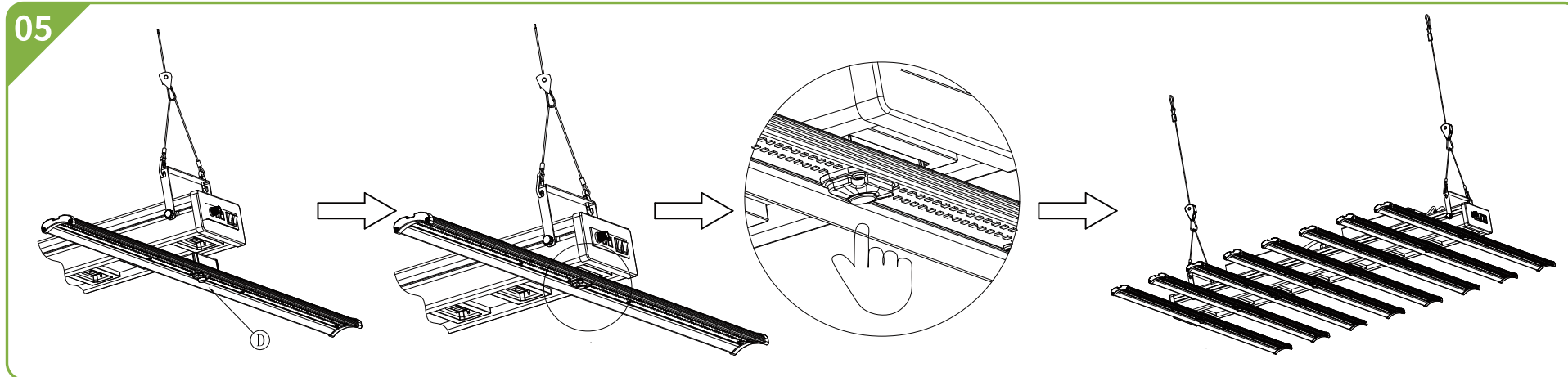


- Install the hanging cable.

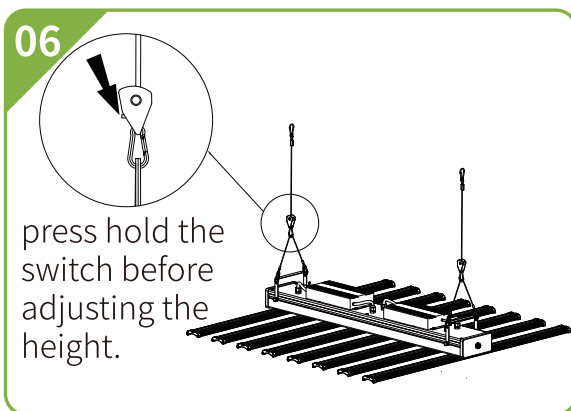
04



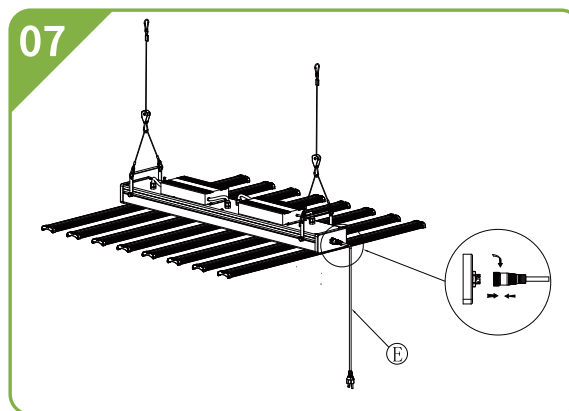
- Hook hanging cable to the chassis.



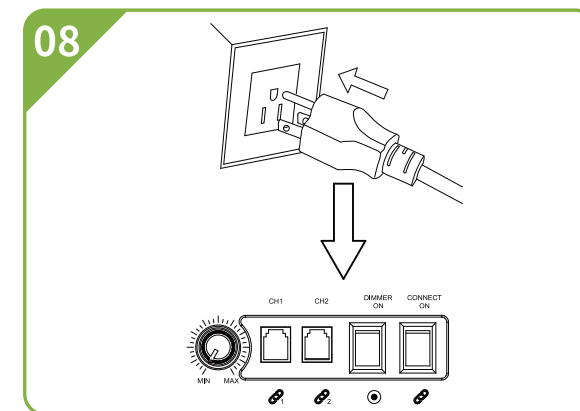
•Attach the light module to the chassis, press the button to lock.(Press again to remove the light module from the chassis.)



•Adjust the height by pull the cable.



•Connect the power cord.



•Plug in the power.
•Dim to the desired light.